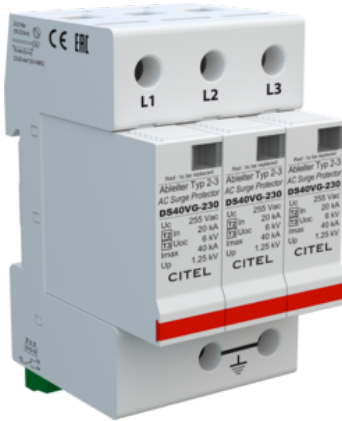




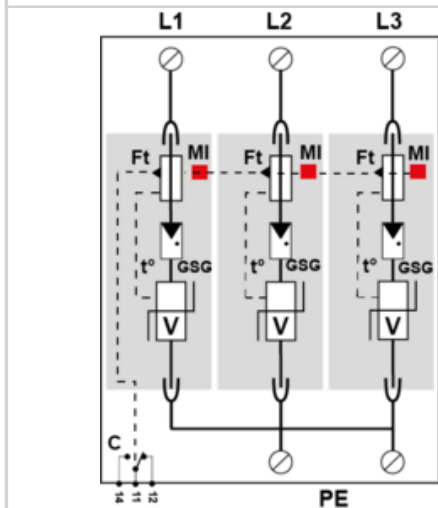
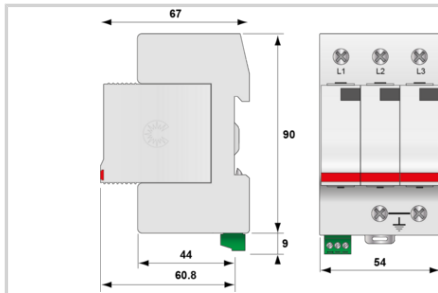
## Type 2+3 AC surge protector - 3-phase

# CITEL

## DS43VGS-230



- Type 2 + 3 AC Multipolar surge protector
- $I_n$  : 20 kA
- $I_{max}$  total: 120 kA
- Pluggable module
- Follow and operating current : none
- No ageing
- remote signaling state
- Optimized to TOV
- EN 61643-11, CEI 61643-11, UL1449 ed.3 compliance



V: High-energy varistor  
 GSG: Specific gas tube  
 Ft: Thermal fuse  
 C: Remote signaling contact  
 t\*: Thermal disconnection system  
 MI: Disconnection indicator

### Electrical Characteristics

SPD type	2+3
Network	230/400 V 3-phase
AC system	TNC
Nominal line voltage	$U_n$ 230 Vac
Max. AC operating voltage	$U_c$ 255 Vac
Temporary Over Voltage (TOV) Characteristics - 5 sec. Without disconnection	UT 335 Vac withstand
Temporary Over Voltage (TOV) Characteristics - 120 mn Without disconnection or with safety disconnection	UT 440 Vac withstand
Residual Current Leakage current to Ground	$I_{pe}$ None
Follow current	$I_f$ None
Nominal discharge current 15 x 8/20 $\mu$ s impulses	$I_n$ 20 kA
Max. discharge current max. withstand @ 8/20 $\mu$ s by pole	$I_{max}$ 40 kA
Total Maximum discharge current max. total withstand @ 8/20 $\mu$ s	$I_{max}$ Total 120 kA
Withstand on Combination waveform IEC 61643-11 Class III test: 1.2/50 $\mu$ s - 8/20 $\mu$ s	$U_{oc}$ 6 kV
Withstand on overvoltages IEEE C62.41.1	20 kV
Connection mode(s)	L/PE
Protection mode(s)	Common mode
Residual voltage @ $I_n$ (8/20 $\mu$ s)	$U_{p-in}$ 0.8 kV
Protection level L/PE @ $I_n$ (8/20 $\mu$ s)	$U_{p-L/PE}$ 1.25 kV
Admissible short-circuit current	$I_{scr}$ 25 000 A

### Mechanical Characteristics

Technology	VG Technology (MOV+GSG)
SPD configuration	3-phase
Connection to Network	By screw terminals: 2.5-25mm <sup>2</sup> / by bus
Format	Plug-in modular box
Mounting	Symmetrical rail 35 mm (EN 60715)
Housing material	Thermoplastic UL94 V-0
Operating temperature	$T_u$ -40/+85°C
Protection rating	IP20
Failsafe mode	Disconnection from AC network
Disconnection indicator	1 mechanical indicator by pole
Spare module(s)	DSM40VG-230
Remote signaling of disconnection	Output on changeover contact
Dimensions	See diagram
Weight	0.261 kg

### Disconnectors

Thermal disconnector	Internal
Installation ground fault breaker	Type 'S' or delayed
Back-up protection device	Fuses type gG - 50 A

### Standards

Standards compliance	IEC 61643-11 / EN 61643-11 / UL1449 ed.5
Certification	UL Recognized

### Part number

**461573**

