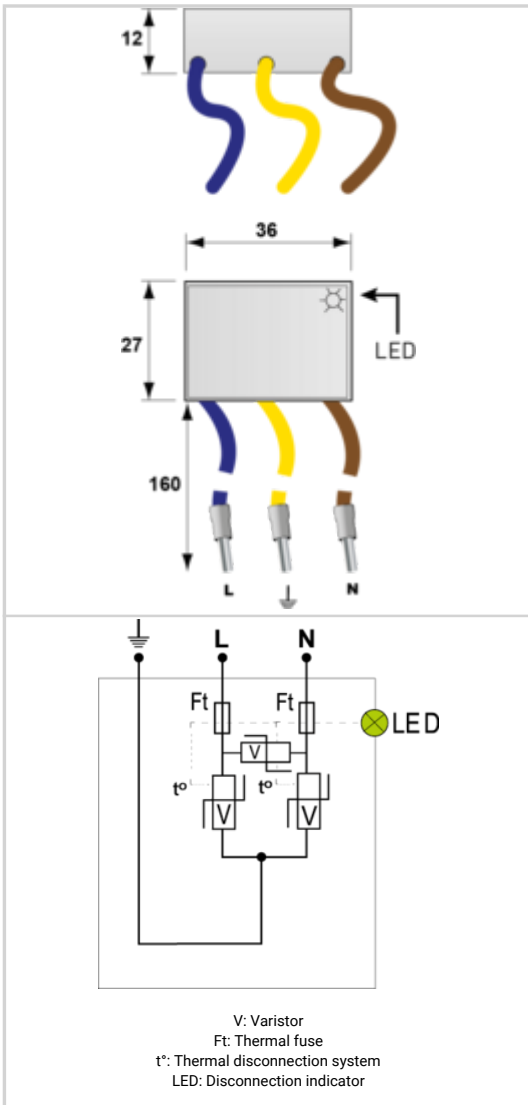


MSB6-24/LD



- ↳ Ultra compact type 3 surge protector
- ↳ 24 Vac or 24 Vdc version available
- ↳ LED indicator
- ↳ IP20
- ↳ EN 61643-11, IEC 61643-11, UL1449 ed.5 compliance



Electrical Characteristics		
SPD type		3
Network		24 Vac - 30 Vdc
Nominal line voltage	Un	24 V
Max. AC operating voltage	Uc	30 Vac
Max. DC operating voltage	Uc	38 Vdc
Temporary Over Voltage (TOV) Characteristics - 5 sec. Without disconnection	UT	36 Vac withstand
Temporary Over Voltage (TOV) Characteristics - 120 mn Without disconnection or with safety disconnection	UT	42 Vac disconnection
Follow current	If	None
Nominal discharge current 15 x 8/20 μs impulses	In	0.5 kA
Max. discharge current max. withstand @ 8/20 μs by pole	Imax	2 kA
Withstand on Combination waveform IEC 61643-11 Class III test: 1.2/50μs - 8/20μs	Uoc	1 kV
Protection mode(s)		Common/Differential mode
Protection level L/N @ In (8/20μs)	Up L/N	0.18 kV
Protection level L/PE @ In (8/20μs)	Up L/PE	0.18 kV
Admissible short-circuit current	Iscrc	3 000 A
Mechanical Characteristics		
Technology		MOV
Connection to Network		Wires
Mounting		AC outlet or screw terminal
Housing material		Thermoplastic UL94 V-0
Operating temperature	Tu	-40/+85°C
Protection rating		IP20
Failsafe mode		Disconnection from AC network
Disconnection indicator		Green LED OFF
Voltage/operating indicator		Green Led ON
Dimensions		See diagram
Weight		0.022 kg
Disconnectors		
Thermal disconnector		Internal
Installation ground fault breaker		Type 'S' or delayed
Standards		
Standards compliance		IEC 61643-11 / EN 61643-11 / UL1449 ed.5
Certification		EAC
Part number		
561313		