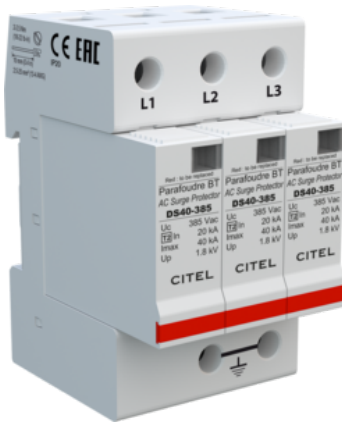




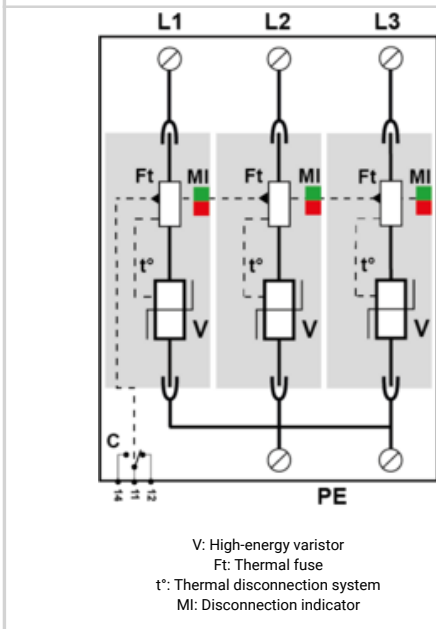
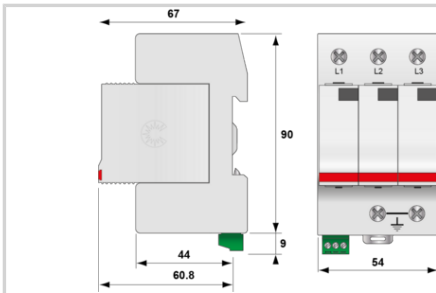
Type 2 AC surge protector - 3-phase

CITEL

DS43S-385



- Discover our latest innovation : the [DAC50S-30-440](#)
- Type 2 AC Multipolar surge protector
- In : 20 kA
- Imax total : 120 kA
- Pluggable module for each phase
- Remote signaling option
- EN 61643-11, IEC 61643-11 compliance
- UL1449 ed.5



Electrical Characteristics		
SPD type	IEC	2
Network		230/400 V 3-phase
AC system		TNC
Nominal line voltage	Un	230 Vac
Max. AC operating voltage	Uc	385 Vac
Temporary Over Voltage (TOV) Characteristics - 5 sec. Without disconnection	UT	335 Vac withstand
Temporary Over Voltage (TOV) Characteristics - 120 mn Without disconnection or with safety disconnection	UT	440 Vac disconnection
Residual Current Leakage current to Ground	Ipe	< 1 mA
Follow current	If	None
Nominal discharge current 15 x 8/20 μs impulses	In	20 kA
Max. discharge current max. withstand @ 8/20 μs by pole	Imax	40 kA
Total Maximum discharge current max. total withstand @ 8/20 μs	Imax Total	120 kA
Connection mode(s)		L/PE
Protection mode(s)		Common mode
Protection level L/PE @ In (8/20μs)	Up L/PE	1.8 kV
Admissible short-circuit current	Iscsr	25 000 A
Mechanical Characteristics		
Technology		MOV
SPD configuration		3-phase
Connection to Network		By screw terminals: 2.5-25mm ² / by bus
Format		Plug-in modular box
Mounting		Symmetrical rail 35 mm (EN 60715)
Housing material		Thermoplastic UL94 V-0
Operating temperature	Tu	-40/+85°C
Protection rating		IP20
Failsafe mode		Disconnection from AC network
Disconnection indicator		1 mechanical indicator by pole
Spare module(s)		DSM40-385
Remote signaling of disconnection		option DS43S-385 : output on changeover contact
Dimensions		See diagram
Weight		0.289 kg
Disconnectors		
Thermal disconnector		Internal
Installation ground fault breaker		Type 'S' or delayed
Back-up protection device		Fuses type gG - 50 A
Standards		
Standards compliance		IEC 61643-11 / EN 61643-11 / UL1449 ed.5
Certification		
Part number		
461223		

