



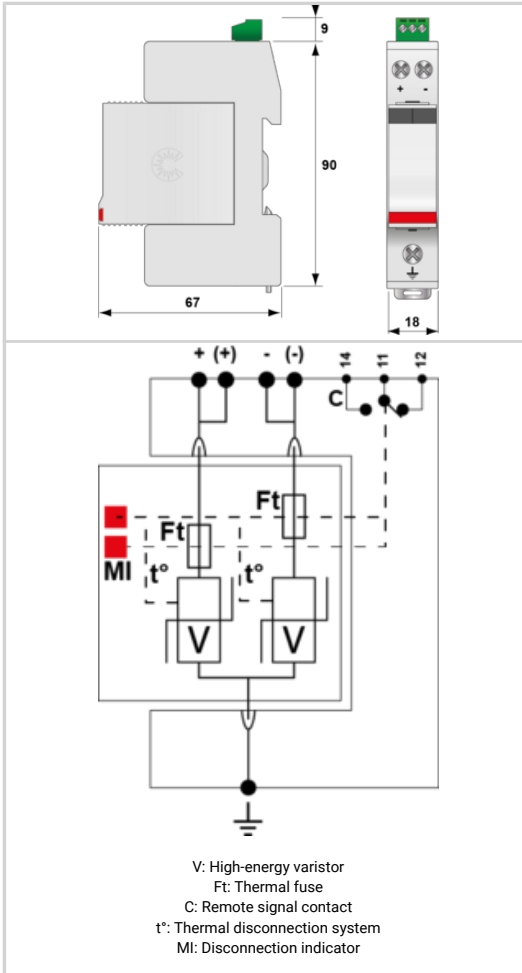
DC power surge protector - 220 Vdc

CITEL

DS240S-220DC



- Discover our latest innovation : the [DDC40CS-20-275](#)
- DC power surge protector
- 220 Vdc
- Compact design
- I_{max}: 40 kA
- Pluggable module
- Remote signaling
- Very low U_p protection level



Electrical Characteristics		
SPD type	IEC	2
Network		DC or PV network 220Vdc
Nominal DC voltage	Un-dc	220 Vdc
Nominal PV voltage	Uocstc	220 Vdc
Max. AC operating voltage	Uc	210 Vac
Max. PV operating voltage	Ucpv	275 Vdc
Max. DC operating voltage	Uc	275 Vdc
Residual Current Leakage current to Ground	I _{pe}	< 0.1 mA
PV Permanent Operating current Current consumption at Ucpv	I _{cpv}	< 0.1 mA
Follow current	I _f	None
Nominal discharge current 15 x 8/20 μs impulses	I _n	20 kA
Max. discharge current max. withstand @ 8/20 μs by pole	I _{max}	40 kA
Total Maximum discharge current max. total withstand @ 8/20 μs	I _{max} Total	80 kA
Current withstand short circuit PV	I _{scpv}	1000 A
Connection mode(s)		+/-PE
Protection mode(s)		Common mode
Protection level +/-PE (-/PE) @ I _n (8/20μs)	U _p	900 V
Mechanical Characteristics		
Technology		MOV
SPD configuration		2-poles
Connection to Network		By screw terminals: 1.5-10mm ² (actives wires) and 2.5-25mm ² (ground)
Format		Plug-in modular box
Mounting		Symmetrical rail 35 mm (EN 60715)
Housing material		Thermoplastic UL94 V-0
Operating temperature	T _u	-40/+85°C
Protection rating		IP20
Failsafe mode		Disconnection from DC network
Disconnection indicator		2 mechanical indicators
Spare module(s)		DSM240-220DC
Remote signaling of disconnection		Output on changeover contact
Dimensions		See diagram
Disconnectors		
Thermal disconnector		Internal
Back-up protection device		Fuses type gG - 20A
Standards		
Standards compliance		IEC 61643-11 / EN 61643-11 / UL1449 ed.5
Certification		
Part number		
310211		

