



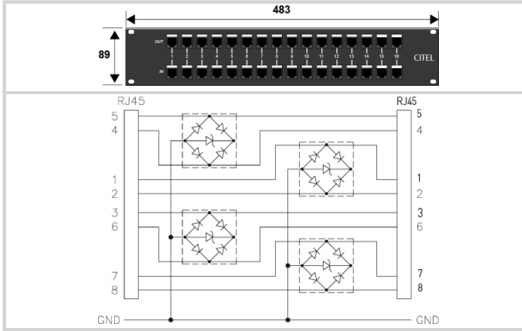
CITEL

19" patch panel surge protector for high-speed network

RAK16-E-C6



- ↳ 19" patch panel surge protector for CAT6
- ↳ 16 ports
- ↳ In/Out front : RJ45
- ↳ Maintenance possible per port
- ↳ Secondary protection
- ↳ UL497B



Electrical Characteristics	
Network	100/1000/10G BaseT, RS422, RS485, RS423, Ethernet
Nominal line voltage	Un 5 Vdc
Max. DC operating voltage	Uc 7.5 Vdc
Max. frequency	f max. 250 MHz
Max. data rate	10 Gbps
Insertion loss	< 1 dB
Max. load current @25°C	IL 750 mA
Protection level @ In (8/20 µs)	Up L/L 20 V
Max. capacitance	C < 8 pF
Discharge current at 10/1000µs impulse current	100 A
Line/Line Nominal discharge current C2 Category	In L/L 500 A
Nominal Discharge Current, X-C (Line/Earth) 8/20µs Test x 10 - C2 Category	In L/PE 500 A
Mechanical Characteristics	
Technology	Diode écrêtage
SPD configuration	16 ports of 8 wires
Connection to Network	RJ45 Female input/output
Format	Rack 19"
Mounting	Baie 19"
Housing material	Aluminium
Operating temperature	Tu -40/+85°C
Protection rating	IP20
Failsafe mode	Short-circuit
Disconnection indicator	Transmission interrupt
Spare module(s)	1-port removable circuit
Remote signaling of disconnection	No
Pinout	(1-2)(3-6)(4-5)(7-8)
Dimensions	See diagram
Weight	0.62 kg
Standards	
Standards compliance	IEC 61643-21 / EN 61643-21 / UL497B / IEEE 802-3an
Part number	
6254	

