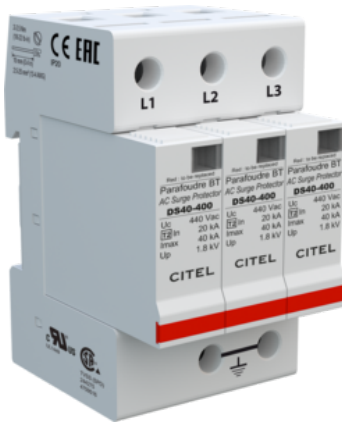
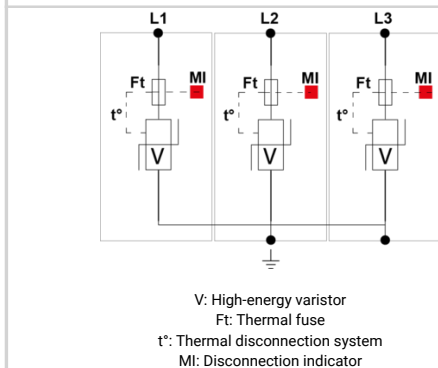
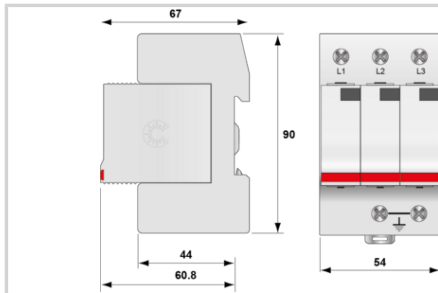


DS43-400



- ↳ Type 2 AC Multipolar surge protector
- ↳ In : 20 kA
- ↳ I_{max} total : 120 kA
- ↳ Pluggable module for each phase
- ↳ Remote signaling option
- ↳ EN 61643-11, IEC 61643-11 compliance
- ↳ UL1449 ed.5



Electrical Characteristics	
SPD type	2
Network	230/400 V 3-phase
AC system	IT
Nominal line voltage	U _n 400 Vac
Max. AC operating voltage	U _c 440 Vac
Temporary Over Voltage (TOV) Characteristics - 5 sec. Without disconnection	UT 580 Vac withstand
Temporary Over Voltage (TOV) Characteristics - 120 mn Without disconnection or with safety disconnection	UT 770 Vac disconnection
Residual Current Leakage current to Ground	I _{pe} < 1 mA
Follow current	I _f None
Nominal discharge current 15 x 8/20 μs impulses	I _n 20 kA
Max. discharge current max. withstand @ 8/20 μs by pole	I _{max} 40 kA
Total Maximum discharge current max. total withstand @ 8/20 μs	I _{max} Total 120 kA
Connection mode(s)	L/PE
Protection mode(s)	Common mode/Differential mode
Residual voltage at 5 kA @ 5 kA (8/20 μs)	U _{p-5kA} 1.3 kV
Protection level L/PE @ I _n (8/20 μs)	U _{p L/PE} 1.8 kV
Admissible short-circuit current	I _{scrr} 25 000 A
Mechanical Characteristics	
Technology	MOV
SPD configuration	3-phase
Connection to Network	By screw terminals: 2.5-2.5mm ² / by bus
Format	Plug-in modular box
Mounting	Symmetrical rail 35 mm (EN 60715)
Housing material	Thermoplastic UL94 V-0
Operating temperature	T _u -40/+85°C
Protection rating	IP20
Failsafe mode	Disconnection from AC network
Disconnection indicator	1 mechanical indicator by pole
Spare module(s)	DSM40-400
Remote signaling of disconnection	option DS43S-400 : output on changeover contact
Dimensions	See diagram
Weight	0.284 kg
Disconnectors	
Thermal disconnector	Internal
Installation ground fault breaker	Type 'S' or delayed
Back-up protection device	Fuses type gG - 50 A
Standards	
Standards compliance	IEC 61643-11 / EN 61643-11 / UL1449 ed.5
Certification	CSA / UL
Part number	
461403	