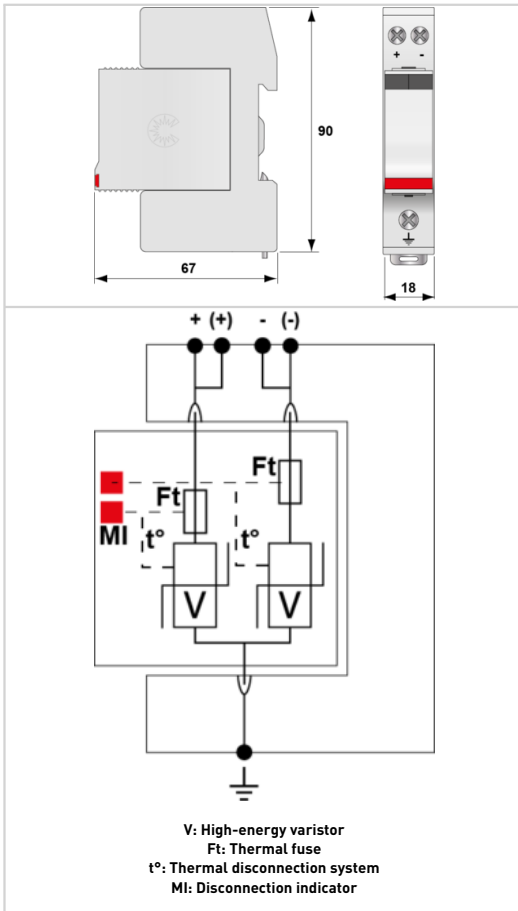




## CITEL DS220-12DC



- DC or PV power surge protector
- 12 Vdc
- Compact design
- I<sub>max</sub> : 20 kA
- Pluggable module
- Remote signaling (option)
- Very low Up protection level



Electrical Characteristics		
SPD type (following IEC tests)		2
Network		DC or PV network 12Vdc
Nominal DC voltage	Un-dc	12 Vdc
Nominal PV voltage	Uocstc	12 Vdc
Max. AC operating voltage L-N	Uc	20 Vac
Max. PV operating voltage	Ucpv	24 Vdc
Max. DC operating voltage	Uc	24 Vdc
Max. load current	IL	20 A
Residual Current(Leakage current to Ground)	Ipe	< 0.1 mA
PV Permanent Operating current (Current consumption at Ucpv)	Icpv	< 0.1 mA
Follow current	If	None
Nominal discharge current (15 x 8/20 μs impulses)	In	10 kA
Max. discharge current(max. withstand @ 8/20 μs by pole)	I <sub>max</sub>	20 kA
Total Maximum discharge current (max. total withstand @ 8/20 μs )	I <sub>max</sub> Total	40 kA
Current withstand short circuit PV	Iscpv	1000 A
Connection mode(s)		+/-PE
Protection mode(s)		Common mode
Protection level +/-PE (@ 8/20μs)	Up	250 V
Mechanical Characteristics		
Technology		MOV
SPD configuration		2 poles
Connection to Network		By screw terminals: 1.5-10mm <sup>2</sup> (actives wires) and 2.5-25mm <sup>2</sup> (ground)
Format		Plug-in modular box
Mounting		Symmetrical rail 35 mm [DIN 60715]
Housing material		Thermoplastic UL94-V0
Operating temperature	Tu	-40/+85°C
Protection rating		IP20
Failsafe mode		disconnection from DC line
Disconnection indicator		2 mechanical indicators
Spare module(s)		DSM220-12DC
Remote signaling of disconnection		Option DS220S-12DC : output on changeover contact
Dimensions		See diagram
Weight		0.109 kg
Disconnectors		
Thermal disconnector		internal
Fuses		Fuses type gG - 20A
Standards		
Standards compliance		IEC 61643-11 / EN 61643-11 / UL1449 ed.4
Certification		UL listed
Part number		
<b>390101</b>		

