



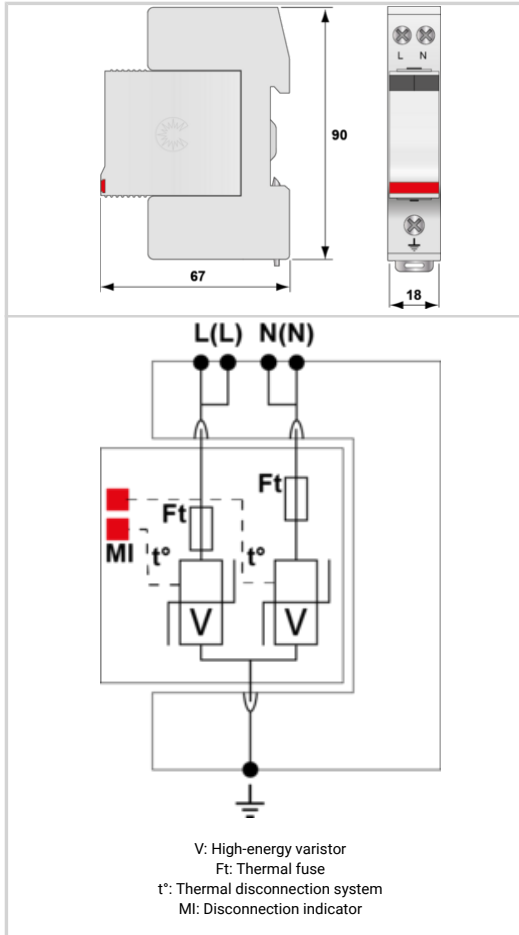
Compact 1-phase Type 2 (or 3) surge protector - 230 V - Pluggable

CITEL

DS240-280



- Compact single-phase Type 2 surge protector
- In : 20 kA
- Imax : 40 kA
- Common mode
- Pluggable module
- Remote signaling option
- EN 61643-11, IEC 61643-11 compliance
- UL1449 ed.5



| Electrical Characteristics | | |
|---|---------------|---|
| SPD type | IEC | 2 |
| Network | | 230 V single-phase |
| AC system | | TN |
| Nominal line voltage | Un | 230 Vac |
| Max. AC operating voltage | Uc | 280 Vac |
| Max. load current if series connection | IL | 20 A |
| Temporary Over Voltage (TOV) Characteristics - 5 sec. Without disconnection | UT | 335 Vac withstand |
| Temporary Over Voltage (TOV) Characteristics - 120 mn Without disconnection or with safety disconnection | UT | 440 Vac disconnection |
| Residual Current Leakage current to Ground | Ipe | < 0.5 mA |
| Follow current | If | None |
| Nominal discharge current 15 x 8/20 µs impulses | In | 20 kA |
| Max. discharge current max. withstand @ 8/20 µs by pole | Imax | 40 kA |
| Total Maximum discharge current max. total withstand @ 8/20 µs | Imax Total | 80 kA |
| Connection mode(s) | | L/PE and N/PE |
| Protection mode(s) | | Common mode |
| Residual voltage at 5 kA @ 5 kA (8/20µs) | Up-5kA | 0.9 kV |
| Protection level CM/DM @ In (8/20µs) | Up mc /md | 1.3 kV |
| Admissible short-circuit current | Iscsr | 10 000 A |
| Mechanical Characteristics | | |
| Technology | | MOV |
| SPD configuration | | Single phase |
| Connection to Network | | By screw terminals: 1.5-10mm ² (L/N) or 2.5-25mm ² (PE) |
| Format | | Plug-in modular box |
| Mounting | | Symmetrical rail 35 mm (EN 60715) |
| Housing material | | Thermoplastic UL94 V-0 |
| Operating temperature | Tu | -40/+85°C |
| Protection rating | | IP20 |
| Failsafe mode | | Disconnection from AC network |
| Disconnection indicator | | 2 mechanical indicators |
| Spare module(s) | | DSM240-280 |
| Remote signaling of disconnection | | Option DS240S-280 : output on changeover contact |
| Dimensions | | See diagram |
| Weight | | 0.125 kg |
| Disconnectors | | |
| Thermal disconnector | | Internal |
| Installation ground fault breaker | | Type 'S' or delayed |
| Back-up protection device | | 50 A min. - 125 A max. - Fuses Type gG |
| Standards | | |
| Standards compliance | | IEC 61643-11 / EN 61643-11 / UL1449 ed.5 |
| Certification | | UL Recognized |
| Part number | | |
| 311101 | | |

