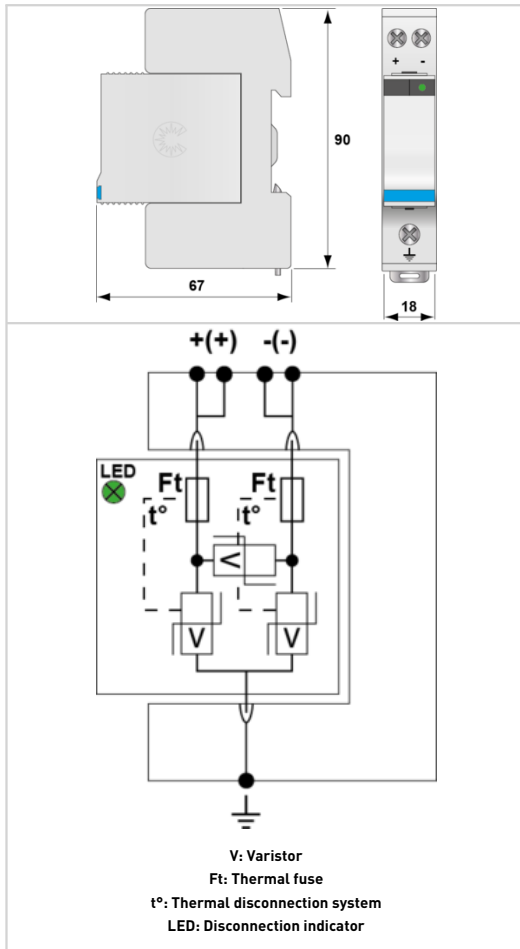




- Surge protector for DC supplies
- 75 Vdc
- I_{max}: 6 kA
- Pluggable module
- Operating indicator
- IEC 61643-11, EN 61643-11 and UL1449 ed.4

**Caractéristiques Électriques**

SPD type (following IEC tests)		2 (ou 3)
Network		DC network 75Vdc
Nominal DC voltage	Un-dc	75 Vdc
Max. AC operating voltage L-N	Uc	60 Vac
Max. DC operating voltage	Uc	85 Vdc
Max. load current	IL	20 A
Residual Current(Leakage current to Ground)	I _{pe}	< 0.1 mA
Operating current(Continuous current at U _c)	I _c	< 0.1 mA
PV Permanent Operating current (Current consumption at U _{cpv})	I _{cpv}	< 0.1 mA
Follow current	I _f	None
Nominal discharge current (15 x 8/20 μs impulses)	I _n	2 kA
Max. discharge current(max. withstand @ 8/20 μs by pole)	I _{max}	6 kA
Total Maximal discharge current (max. total withstand @ 8/20 μs)	I _{max Total}	6 kA
Current withstand short circuit PV	I _{scpv}	1000 A
Connection model(s)		+/-/PE
Protection mode(s)		Common/Differential mode
Protection level +/-PE(@ I _n (8/20μs))	U _p	250 V

Caractéristiques Mécaniques

Technology		MOV
SPD configuration		2 poles
Connection to Network		By screw terminals: 1.5- 10mm ² (actives wires) and 2.5-25mm ² (ground)
Format		Plug-in modular box
Mounting		Symmetrical rail 35 mm (DIN 60715)
Housing material		Thermoplastic UL94-V0
Operating temperature	T _u	-40/+85°C
Protection rating		IP20
Failsafe mode		disconnection from DC line
Disconnection indicator		Green led off
Spare module(s)		DSM210-75DC
Weight		0.092 kg

Déconnecteurs associés

Thermal disconnector		internal
Fuses		Fuses type gG- 10 A

Normes

Standards compliance		IEC 61643-11 / EN 61643-11 / UL1449 4ed.
----------------------	--	--

Code article

440601

