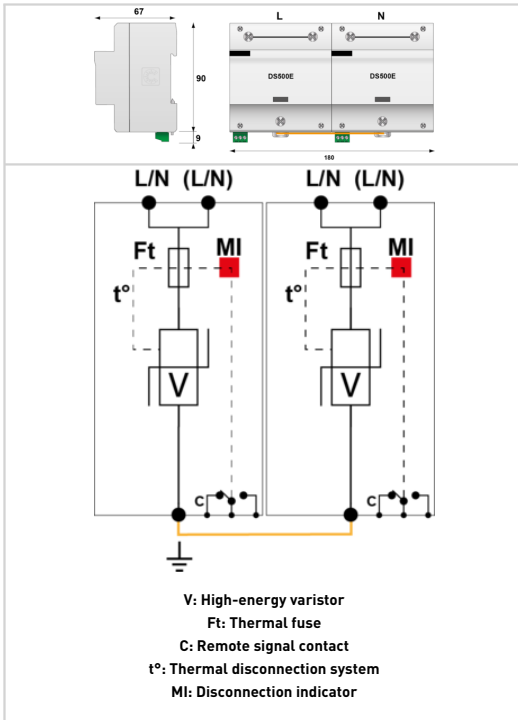


# DS502E-230



- Type 1 + 2 multipolar AC surge protector
- Iimp total : 100 kA (10/350µs impulse)
- Imax : 200 kA (8/20µs impulse)
- Internal disconnections, status indicator and remote signaling
- Conforme NF EN 61643-11, CEI 61643-11, UL1449 ed.4



Caractéristiques Électriques		
SPD type		1+2
Network		230 V single-phase
AC system		TN
Nominal line voltage	Un	230 Vac
Max. AC operating voltage L-N	Uc	255 Vac
Max. load current(if series connection)	IL	100 A
Temporary Over Voltage (TOV) Characteristics - 5 sec. (Without disconnection)	UT	335 Vac withstand
Temporary Over Voltage (TOV) Characteristics - 120 mn (Without disconnection or with safety disconnection)	UT	440 Vac disconnection
Operating current( Continuous current at Uc)	Ic	< 3 mA
Follow current	If	None
Nominal discharge current (15 x 8/20 µs impulses)	In	50 kA
Max. discharge current(max. withstand @ 8/20 µs by pole)	I <sub>max</sub>	200 kA
Impulse current by pole(max. withstand 10/350µs by pole)	I <sub>imp</sub>	50 kA
Total lightning current(max. total withstand @ 10/350µs)	I <sub>total</sub>	100 kA
Specific energy by pole( max. withstand 10/350 µs )	W/R	156 kJ/ohm
Connection model(s)		L/PE and N/PE
Protection mode(s)		Common mode
Protection level N/PE (@ In (8/20µs))	Up N/PE	1.8 kV
Protection level L/PE(@ In (8/20µs))	Up L/PE	1.8 kV
Admissible short-circuit current	I <sub>sc</sub>	50000 A
Caractéristiques Mécaniques		
Technology		MOV
SPD configuration		Single phase
Connection to Network		By screw terminals : 6-35 mm <sup>2</sup> / by bus
Format		1-pole modular box assembled
Mounting		Symmetrical rail 35 mm (DIN 60715)
Housing material		Thermoplastic UL94-V0
Operating temperature		-40/+85°C
Protection rating		IP20
Failsafe mode		Disconnection
Disconnection indicator		1 mechanical indicator by pole
Remote signaling of disconnection		Output on changeover contact
Déconnecteurs associés		
Thermal disconnecter		Internal
Installation ground fault breaker		Type 'S' or delayed
Fuses		Fuses Type gG - 500 A
Normes		
Standards compliance		IEC 61643-11 / EN 61643-11 / UL1449 4ed.
Certification		EAC
Code article		
<b>64030</b>		

