



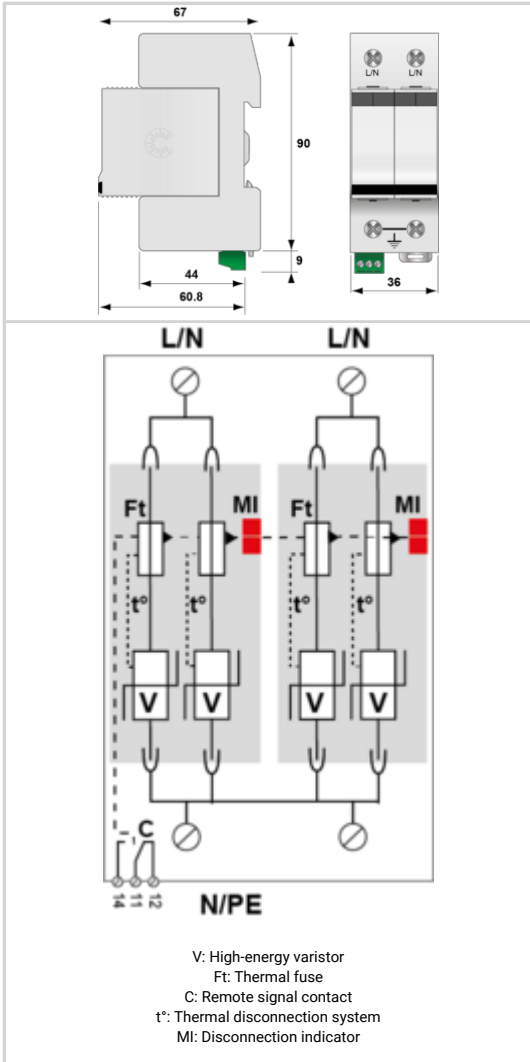
# Type 2 AC surge protector - Single-phase

# CITEL

## DS72RS-400



- Discover our latest innovation : the [DAC80S-20-440](#)
- Re-inforced Type 2 AC Multipolar surge protector
- In: 30 kA
- Imax total: 140 kA
- Pluggable module by phase
- Remote signaling
- IEC 61643-11, EN 61643-11 compliance
- UL1449 ed.3 approved



| Electrical Characteristics   |  |
|--|--|
| SPD type   | 2  |
| Network  | 230 V single-phase                                 |
| AC system  | IT   |
| Nominal line voltage   | Un 400 Vac   |
| Max. AC operating voltage  | Uc 440 Vac   |
| Temporary Over Voltage (TOV) Characteristics - 5 sec. Without disconnection                              | UT 580 Vac withstand                               |
| Temporary Over Voltage (TOV) Characteristics - 120 mn Without disconnection or with safety disconnection | UT 770 Vac disconnection                           |
| Residual Current Leakage current to Ground   | Ipe < 2 mA   |
| Follow current   | If None  |
| Nominal discharge current 15 x 8/20 μs impulses  | In 30 kA   |
| Max. discharge current max. withstand @ 8/20 μs by pole  | Imax 70 kA   |
| Total Maximum discharge current max. total withstand @ 8/20 μs   | Imax Total 140 kA                                  |
| Connection mode(s)   | L/PE and N/PE                                      |
| Protection mode(s)   | Common mode  |
| Residual voltage at 5 kA @ 5 kA (8/20μs)   | Up-5kA 1.2 kV                                      |
| Protection level N/PE @ In (8/20μs)  | Up N/PE 1.8 kV                                     |
| Protection level L/PE @ In (8/20μs)  | Up L/PE 1.8 kV                                     |
| Admissible short-circuit current   | Iscrr 25 000 A                                     |
| Mechanical Characteristics   |  |
| Technology   | MOV  |
| SPD configuration  | Single phase                                       |
| Connection to Network  | By screw terminals: 2.5-25mm <sup>2</sup> / by bus |
| Format   | Plug-in modular box                                |
| Mounting   | Symmetrical rail 35 mm (EN 60715)                  |
| Housing material   | Thermoplastic UL94 V-0                             |
| Operating temperature  | Tu -40/+85°C                                       |
| Protection rating  | IP20   |
| Failsafe mode  | Disconnection from AC network                      |
| Disconnection indicator  | 2 mechanical indicators by pole                    |
| Spare module(s)  | DSM70R-400   |
| Remote signaling of disconnection  | Output on changeover contact                       |
| Dimensions   | See diagram  |
| Disconnectors  |  |
| Thermal disconnector   | Internal   |
| Installation ground fault breaker  | Type 'S' or delayed                                |
| Back-up protection device  | 100 A min. - 125 A max. - Fuses type gG            |
| Standards  |  |
| Standards compliance   | IEC 61643-11 / EN 61643-11 / UL1449 ed.5           |
| Certification  | UL Recognized                                      |
| Part number  |  |
| 491421   |  |

