

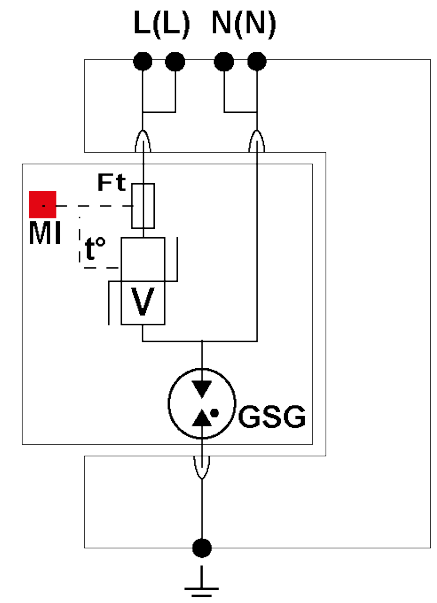
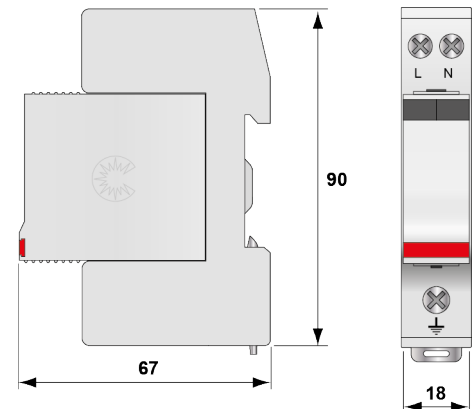


DS240-400/G

- Compact single-phase Type 2 surge protector
- I_n : 20 kA
- I_{max} : 40 kA
- Common/Differential mode
- Pluggable module
- Remote signaling option
- EN 61643-11, CEI 61643-11 compliance
- UL1449 ed.5



Electrical Characteristics		
SPD type		2
Network		230 V single-phase
AC system		TT-TN
Nominal line voltage	U_n	400 Vac
Max. AC operating voltage L-N	U_c	440 Vac
Max. load current <i>if series connection</i>	I_L	20 A
Temporary Over Voltage (TOV) Characteristics - 5 sec. <i>Without disconnection</i>	U_T	335 Vac withstand
Temporary Over Voltage (TOV) Characteristics - 120 mn <i>Without disconnection or with safety disconnection</i>	U_T	440 Vac withstand
Temporary Over Voltage N/PE (TOV HT) <i>Without disconnection or with safety disconnection</i>	U_T	1200 V/300A/200 ms withstand
Residual Current <i>Leakage current to Ground</i>	I_{pe}	None
Operating current <i>Continuous current at U_c</i>	I_c	0.5 mA
Follow current	I_f	None
Nominal discharge current <i>15 x 8/20 μs impulses</i>	I_n	20 kA
Max. discharge current <i>max. withstand @ 8/20 μs by pole</i>	I_{max}	40 kA
Total Maximal discharge current <i>max. total withstand @ 8/20 μs</i>	I_{max} <i>Total</i>	40 kA
Connection mode(s)		L/N and N/PE
Protection mode(s)		Common/Differential mode
Residual voltage at 5 kA <i>@ 5 kA (8/20 μs)</i>	U_p-5kA	1.5/1.3 kV
Protection level L/N <i>@ I_n (8/20 μs)</i>	U_p L/N	1.8 kV
Protection level N/PE <i>@ I_n (8/20 μs)</i>	U_p N/PE	1.5 kV
Protection level CM/DM <i>@ I_n (8/20 μs)</i>	U_p mc/ md	1.5/1.8 kV
Admissible short-circuit current	I_{sccr}	10 000 A



V: High-energy varistor
 GSG: Specific Gas Tube
 Ft: Thermal fuse
 t°: Thermal disconnection system
 MI: Disconnection indicator

Mechanical Characteristics	
Technology	MOV
SPD configuration	Single phase
Connection to Network	by screw terminals: 1.5-10mm ² (L/N) or 2.5-25mm ² (PE)
Format	Plug-in modular box
Mounting	Symmetrical rail 35 mm (EN60715)
Housing material	Thermoplastic UL94-V0
Operating temperature	-40/+85°C
Protection rating	IP20
Failsafe mode	Disconnection
Disconnection indicator	1 mechanical indicator
Spare module(s)	DSM240-400/G
Remote signaling of disconnection	Option DS240S-400/G : output on changeover contact
Dimensions	See diagram
Disconnectors	
Thermal disconnecter	Internal
Installation ground fault breaker	Type 'S' or delayed
Fuses	Fuses type gG - 50 A
Standards	
Standards compliance	IEC 61643-11 / EN 61643-11 / UL1449 4ed.
Certification	UL / CSA /EAC
Part Number	311421