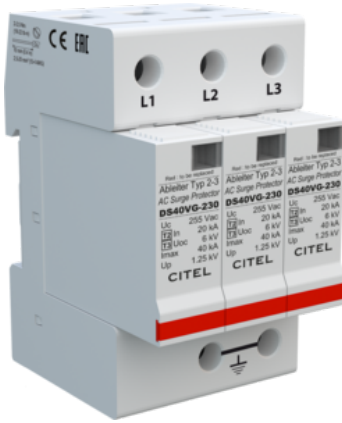




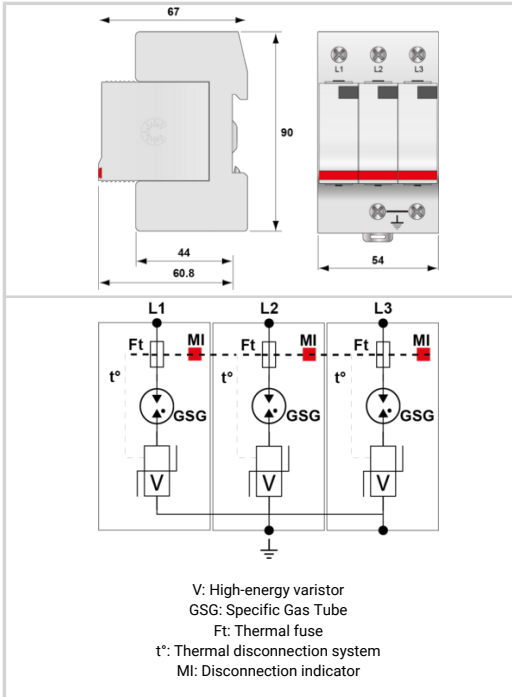
## Type 2+3 AC surge protector - 3-phase

# CITEL

## DS43VG-230



- Type 2 + 3 AC Multipolar surge protector
- In : 20 kA
- I<sub>max</sub> total: 120 kA
- Pluggable module
- Follow and operating current : none
- No ageing
- Optional remote signaling state
- Optimized to TOV
- EN 61643-11, IEC 61643-11, UL1449 ed.5 compliance



Electrical Characteristics	
SPD type	2+3
Network	230/400 V 3-phase
AC system	TNC
Nominal line voltage	Un 230 Vac
Max. AC operating voltage	Uc 255 Vac
Temporary Over Voltage (TOV) Characteristics - 5 sec. Without disconnection	UT 335 Vac withstand
Temporary Over Voltage (TOV) Characteristics - 120 mn Without disconnection or with safety disconnection	UT 440 Vac withstand
Residual Current Leakage current to Ground	I <sub>pe</sub> None
Follow current	I <sub>f</sub> None
Nominal discharge current 15 x 8/20 μs impulses	I <sub>n</sub> 20 kA
Max. discharge current max. withstand @ 8/20 μs by pole	I <sub>max</sub> 40 kA
Total Maximum discharge current max. total withstand @ 8/20 μs	I <sub>max</sub> Total 120 kA
Withstand on Combination waveform IEC 61643-11 Class III test: 1.2/50μs - 8/20μs	U <sub>oc</sub> 6 kV
Withstand on overvoltages IEEE C62.41.1	20 kV
Connection mode(s)	L/PE
Protection mode(s)	Common mode
Residual voltage @ I <sub>n</sub> (8/20 μs)	U <sub>p-in</sub> 0.8 kV
Protection level L/PE @ I <sub>n</sub> (8/20μs)	U <sub>p</sub> L/PE 1.25 kV
Admissible short-circuit current	I <sub>sc</sub> 25 000 A
Mechanical Characteristics	
Technology	VG Technology (MOV+GSG)
SPD configuration	3-phase
Connection to Network	By screw terminals: 2.5-25mm <sup>2</sup> / by bus
Format	Plug-in modular box
Mounting	Symmetrical rail 35 mm (EN 60715)
Housing material	Thermoplastic UL94 V-0
Operating temperature	T <sub>u</sub> -40/+85°C
Protection rating	IP20
Failsafe mode	Disconnection from AC network
Disconnection indicator	1 mechanical indicator by pole
Spare module(s)	DSM40VG-230
Remote signaling of disconnection	option DS43VGS-230 : output on changeover contact
Dimensions	See diagram
Disconnectors	
Thermal disconnecter	Internal
Installation ground fault breaker	Type 'S' or delayed
Back-up protection device	50 A min. - 125 A max. - Fuses Type gG
Standards	
Standards compliance	IEC 61643-11 / EN 61643-11 / UL1449 ed.5
Certification	UL Recognized
Part number	
461553	

