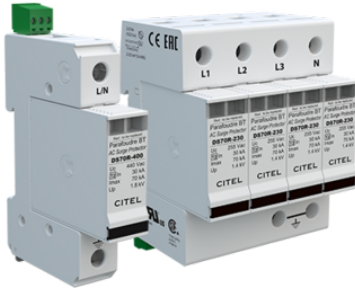




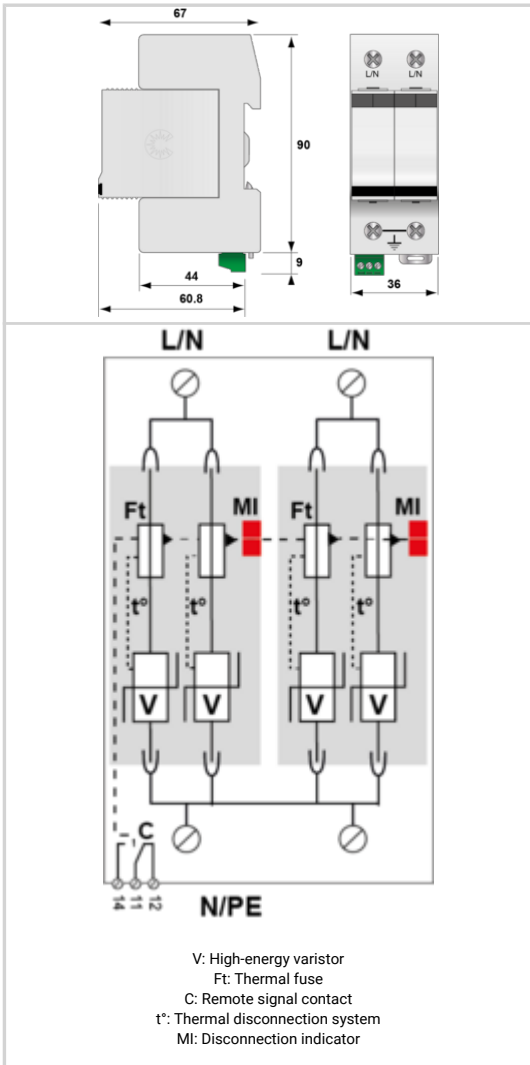
Type 2 AC surge protector - Single-phase

CITEL

DS72RS-320



- Discover our latest innovation : the [DAC80S-20-385](#)
- Re-inforced Type 2 AC surge protector
- In : 30 kA
- I_{max} : 70 kA
- Pluggable module by phase
- Remote signaling
- IEC 61643-11, EN 61643-11 compliance
- UL1449 ed.5 approved



Electrical Characteristics		
SPD type	IEC	2
Network		230/400 V
AC system		TN
Max. AC operating voltage	U _c	320 Vac
Temporary Over Voltage (TOV) Characteristics - 5 sec. Without disconnection	UT	335 Vac withstand
Temporary Over Voltage (TOV) Characteristics - 120 mn Without disconnection or with safety disconnection	UT	440 Vac disconnection
Residual Current Leakage current to Ground	I _{pe}	None
Follow current	I _f	None
Nominal discharge current 15 x 8/20 μs impulses	I _n	30 kA
Max. discharge current max. withstand @ 8/20 μs by pole	I _{max}	70 kA
Total Maximum discharge current max. total withstand @ 8/20 μs	I _{max} Total	140 kA
Connection mode(s)		L/PE and N/PE
Protection mode(s)		Common mode
Protection level N/PE @ I _n (8/20μs)	U _p N/PE	1.5 kV
Protection level L/PE @ I _n (8/20μs)	U _p L/PE	1.5 kV
Admissible short-circuit current	I _{sc}	25 000 A
Mechanical Characteristics		
Technology		MOV
SPD configuration		Single phase
Connection to Network		By screw terminals: 2.5-25mm ² / by bus
Format		Plug-in modular box
Mounting		Symmetrical rail 35 mm (EN 60715)
Housing material		Thermoplastic UL94 V-0
Operating temperature	T _u	-40/+85°C
Protection rating		IP20
Failsafe mode		Disconnection from AC network
Disconnection indicator		2 mechanical indicators by pole
Spare module(s)		DSM72R-280
Remote signaling of disconnection		Output on changeover contact
Dimensions		See diagram
Weight		0.249 kg
Disconnectors		
Thermal disconnector		Internal
Installation ground fault breaker		Type 'S' or delayed
Back-up protection device		100 A min. - 125 A max. - Fuses type gG
Standards		
Standards compliance		IEC 61643-11 / EN 61643-11 / UL1449 ed.5
Part number		
491921		

