



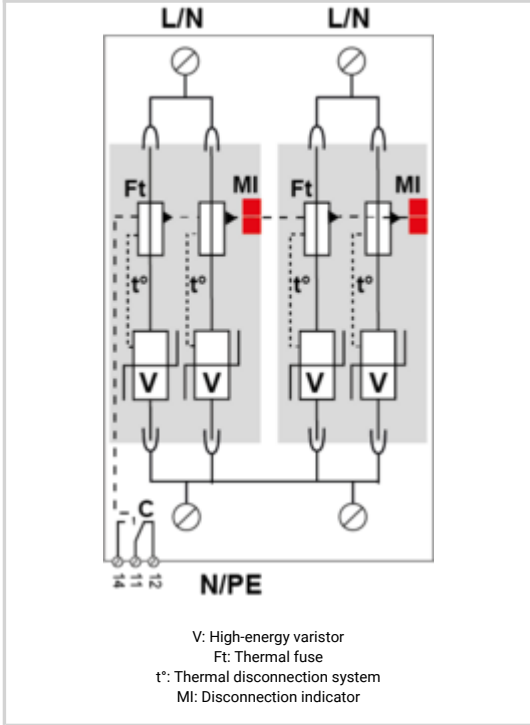
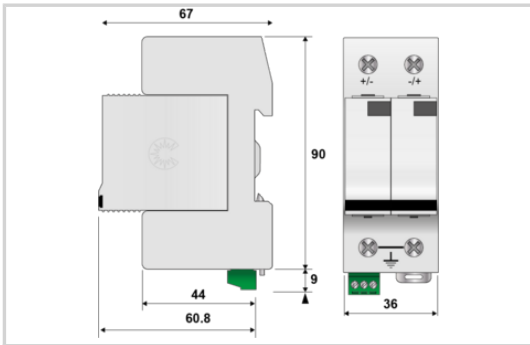
1-Pole 48 Vdc surge protector

CITEL

DS72RS-48DC



- ↳ 2-poles surge protector 48 Vdc
- ↳ Type 1 et Type 2
- ↳ In 30 kA / I_{max} 70 kA
- ↳ Remote signaling
- ↳ I_{imp} 7 kA
- ↳ Pluggable Module
- ↳ IEC 61643-11 and EN61643-11 compliance
- ↳ UL1449 ed.5



| Electrical Characteristics | |
|--|--|
| SPD type | 1+2 |
| Network | 48 Vdc |
| Nominal line voltage | Un 48 Vdc |
| Nominal DC voltage | Un-dc 48 Vdc |
| Max. DC operating voltage | Uc 65 Vdc |
| Follow current | If None |
| Nominal discharge current <i>15 x 8/20 μs impulses</i> | In 30 kA |
| Max. discharge current <i>max. withstand @ 8/20 μs by pole</i> | I _{max} 70 kA |
| Total Maximum discharge current <i>max. total withstand @ 8/20 μs</i> | I _{max} Total 140 kA |
| Impulse current by pole <i>max. withstand 10/350μs by pole</i> | I _{imp} 7 kA |
| Total lightning current <i>max. total withstand @ 10/350μs</i> | I _{total} 14 kA |
| Connection mode(s) | +/-PE and -/PE |
| Protection mode(s) | Differential/Common mode |
| Protection level +/-PE (-/PE) <i>@ In (8/20μs)</i> | Up 300 V |
| Mechanical Characteristics | |
| Technology | MOV |
| SPD configuration | 2-poles |
| Connection to Network | By screw terminals: 4-25mm ² |
| Format | Plug-in modular box |
| Mounting | Symmetrical rail 35 mm (EN 60715) |
| Housing material | Thermoplastic UL94 V-0 |
| Operating temperature | Tu -40/+85°C |
| Protection rating | IP20 |
| Failsafe mode | Disconnection from DC network |
| Disconnection indicator | 1 mechanical indicator by pole |
| Spare module(s) | DSM70R-48DC |
| Remote signaling of disconnection | Output on changeover contact |
| Dimensions | See diagram |
| Disconnectors | |
| Thermal disconnector | Internal |
| Back-up protection device | 100 A min. - 125 A max. - Fuses type gG |
| Standards | |
| Standards compliance | IEC 61643-11 / EN 61643-11 / UL1449 ed.5 |
| Part number | |
| 492121 | |

