



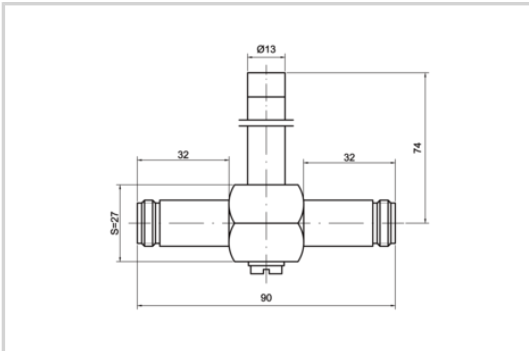
# CITEL

## 'Quarter wave' coaxial protector

### PRC900-N/FF



- 'Quarter wave' coaxial protector type N
- Frequency : 870-960 MHz
- Low insertion loss
- I<sub>max</sub> > 50 kA
- Maintenance free
- Bi-directional
- IP65



Electrical Characteristics		
Frequency range	f	870-960 MHz
Insertion loss		< 0.2 dB
Return loss		> 20 dB
Impedance		50 ohms
VSWR		<1.2:1
Max. load current @25°C	IL	10 A
Max. discharge current max. withstand @ 8/20 µs by pole	I <sub>max</sub>	50 kA
Protection mode(s)		Common mode
Protection level @ I <sub>n</sub> (8/20µs)	Up	< 30 V
Impulse current 2 x 10/350µs Test - D1 Category	I <sub>imp</sub>	25 kA
Nominal discharge current C2 Category	I <sub>n</sub>	25 kA
Max Power @f max.		415 W
Max Power @f mini.		436 W
PIM 3rd order (2x20W)		< -160 dBc
DC Pass		No
Mechanical Characteristics		
Technology		Quarter Wave
Connection to Network		Connector N Female/Female
Mounting		Connector
Housing material		Brass/Surface plating: Cu Zn Sn
Operating temperature	T <sub>u</sub>	-40/+85°C
Protection rating		IP65
Failsafe mode		Without
Dimensions		See diagram
Contacts		Bronze/Surface Au-Ag
Standards		
Standards compliance		IEC 61643-21 / EN 61643-21 / UL497E
RohS compliance		Yes
Part number		
<b>621124</b>		

