



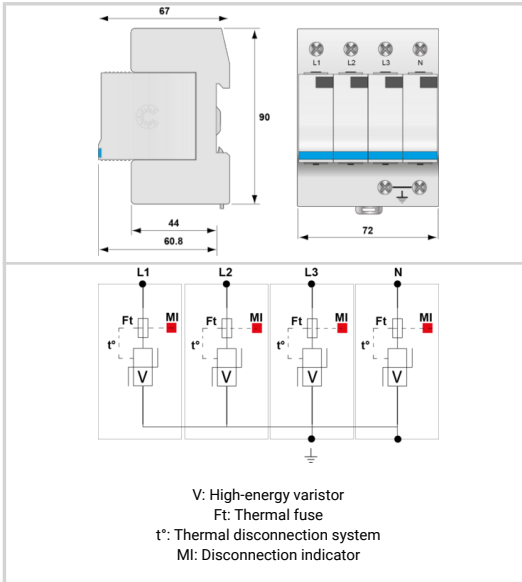
## Type 2 (or 3) AC surge protector - 3-phase+N

# CITEL

## DS14-120



- ↳ Discover our latest innovation : the [DAC15C-40-150](#)
- ↳ Type 2 (or 3) AC Multipolar surge protector
- ↳ In : 5 kA
- ↳ I<sub>max</sub> total: 40 kA
- ↳ Pluggable module by phase
- ↳ Remote signaling option
- ↳ EN 61643-11, IEC 61643-11, UL1449 ed.5 compliance



Electrical Characteristics		
SPD type	IEC	2 (or 3)
Network		120/208 V 3-phase+N
AC system		TNS
Nominal line voltage	U <sub>n</sub>	120 Vac
Max. AC operating voltage	U <sub>c</sub>	150 Vac
Temporary Over Voltage (TOV) Characteristics - 5 sec. Without disconnection	UT	180 Vac withstand
Temporary Over Voltage (TOV) Characteristics - 120 mn Without disconnection or with safety disconnection	UT	230 Vac disconnection
Residual Current Leakage current to Ground	I <sub>pe</sub>	< 2 mA
Follow current	I <sub>f</sub>	None
Nominal discharge current 15 x 8/20 μs impulses	I <sub>n</sub>	5 kA
Max. discharge current max. withstand @ 8/20 μs by pole	I <sub>max</sub>	10 kA
Total Maximum discharge current max. total withstand @ 8/20 μs	I <sub>max</sub> Total	40 kA
Withstand on Combination waveform IEC 61643-11 Class III test: 1.2/50μs - 8/20μs	U <sub>oc</sub>	10 kV
Withstand on overvoltages IEEE C62.41.1		10 kV
Connection mode(s)		L/PE and N/PE
Protection mode(s)		Common mode
Protection level L/PE @ I <sub>n</sub> (8/20μs)	U <sub>p</sub> L/PE	0.6 kV
Admissible short-circuit current	I <sub>sc</sub>	25 000 A
Mechanical Characteristics		
Technology		MOV
SPD configuration		3-phase+Neutral
Connection to Network		By screw terminals: 2.5-25mm <sup>2</sup> / by bus
Format		Plug-in modular box
Mounting		Symmetrical rail 35 mm (EN 60715)
Housing material		Thermoplastic UL94 V-0
Operating temperature	T <sub>u</sub>	-40/+85°C
Protection rating		IP20
Failsafe mode		Disconnection from AC network
Disconnection indicator		1 mechanical indicator by pole
Spare module(s)		DSM10-120
Remote signaling of disconnection		option DS14S-120 : output on changeover contact
Dimensions		See diagram
Weight		0.34 kg
Disconnectors		
Thermal disconnector		Internal
Installation ground fault breaker		Type 'S' or delayed
Back-up protection device		20 A min. - 125 A max. - Fuses type gG
Standards		
Standards compliance		IEC 61643-11 / EN 61643-11 / UL1449 ed.5
Certification		UL Recognized
<b>Part number</b>		<b>471602</b>

