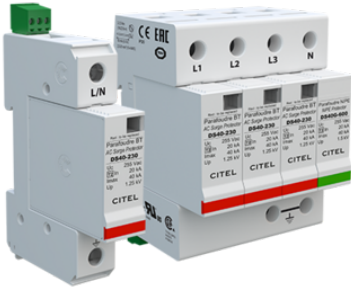




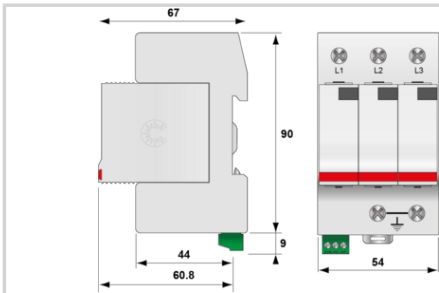
## Type 2 AC surge protector - 3-phase

# CITEL

## DS43S-600



- ↳ Discover our latest innovation : the [DAC50S-30-660](#)
- ↳ Type 2 AC surge protector
- ↳ In : 20 kA
- ↳ Imax : 40 kA
- ↳ Pluggable module for each phase
- ↳ Remote signaling option
- ↳ EN 61643-11, IEC 61643-11 compliance
- ↳ UL1449 ed.5



### Electrical Characteristics

SPD type	IEC	2
Network		347/600 V
Nominal line voltage	Un	377 Vac
Max. AC operating voltage	Uc	660 Vac
Temporary Over Voltage (TOV) Characteristics - 5 sec. Without disconnection	UT	870 Vac withstand
Temporary Over Voltage (TOV) Characteristics - 120 mn Without disconnection or with safety disconnection	UT	1150 Vac disconnection
Residual Current Leakage current to Ground	I <sub>pe</sub>	< 1 mA
Follow current	I <sub>f</sub>	None
Nominal discharge current 15 x 8/20 μs impulses	I <sub>n</sub>	20 kA
Max. discharge current max. withstand @ 8/20 μs by pole	I <sub>max</sub>	40 kA
Connection mode(s)		L/PE and N/PE
Protection mode(s)		Common Mode or Differential Mode
Admissible short-circuit current	I <sub>sc</sub>	25 000 A

### Mechanical Characteristics

Technology		MOV
SPD configuration		Single phase
Connection to Network		By screw terminals: 2.5-25mm <sup>2</sup> / by bus
Format		Plug-in modular box
Mounting		Symmetrical rail 35 mm (EN 60715)
Housing material		Thermoplastic UL94 V-0
Operating temperature	T <sub>u</sub>	-40/+85°C
Protection rating		IP20
Failsafe mode		Disconnection from AC network
Disconnection indicator		1 mechanical indicator
Spare module(s)		DSM40-600
Remote signaling of disconnection		option DS41S-600 : output on changeover contact
Dimensions		See diagram
Weight		0.359 kg

### Disconnectors

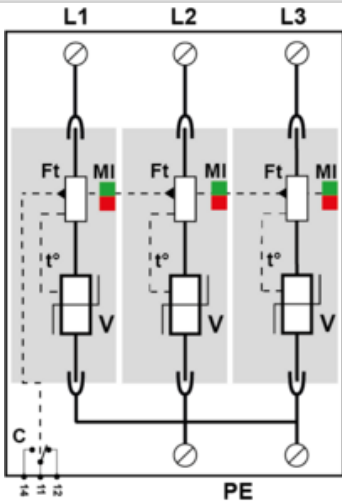
Thermal disconnector		Internal
Installation ground fault breaker		Type 'S' or delayed
Back-up protection device		Fuses type gG - 50 A

### Standards

Standards compliance		IEC 61643-11 / EN 61643-11 / UL1449 ed.5
Certification		CSA / UL

### Part number

461723



V: High-energy varistor  
 Ft: Thermal fuse  
 t\*: Thermal disconnection system  
 MI: Disconnection indicator

