



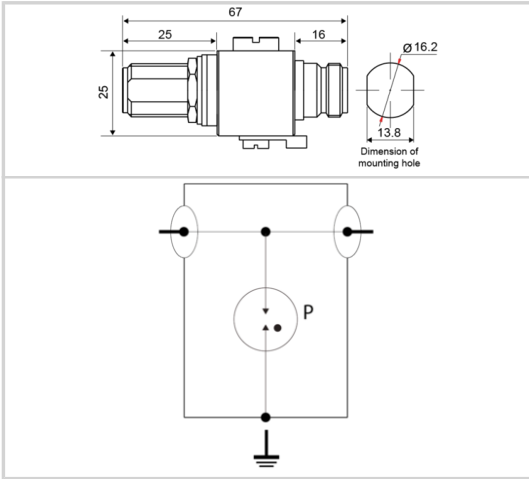
Coaxial surge protector DC-7 GHz

CITEL

P8AX09-6G-N/FF/HE



- RF coaxial surge protector
- Harsh environment (HE)
- DC-7 GHz
- 70 W
- Connectors : N
- Low insertion loss
- Removable GDT
- DC-pass
- Bi-directional protection



Electrical Characteristics			
Max. DC operating voltage	Uc		120 Vdc
Frequency range	f		DC-7 GHz
Insertion loss			< 0.2 dB
Return loss			> 19 dB
Impedance			50 ohms
VSWR			<1.25:1
Max. load current @25°C	IL		10 A
Max. discharge current max. withstand @ 8/20 µs by pole	I _{max}		20 kA
Protection mode(s)			Common mode
Protection level @ I _n (8/20µs)	U _p		< 1100 V
Impulse current 2 x 10/350µs Test - D1 Category	I _{imp}		1 kA
Nominal discharge current C2 Category	I _n		5 kA
Max Power			70 W
Typical let through energy (50 ohms) input 4kV 1.2/50µs - 2kA 8/20µs			2.2 mJ
DC Pass			Yes
Insulation resistance	IR		≥10 GOhms
Mechanical Characteristics			
Technology			Gas discharge tube
Connection to Network			Connector N Female/Female
Mounting			Feedthrough
Housing material			Brass/Surface plating: Sn Ni
Operating temperature	T _u		-40/+85°C
Protection rating			IP66
Failsafe mode			Short-circuit
Disconnection indicator			Transmission interrupt
Spare module(s)			1 x BA HF
Dimensions			See diagram
Contacts			Bronze/Surface Gold or Silver
Weight			0.165 kg
Standards			
Standards compliance			IEC 61643-21 / EN 61643-21 / UL497E
RohS compliance			Yes
Part number			
680114			

