



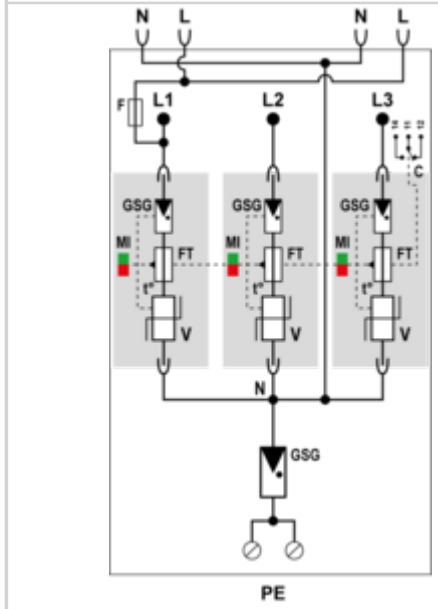
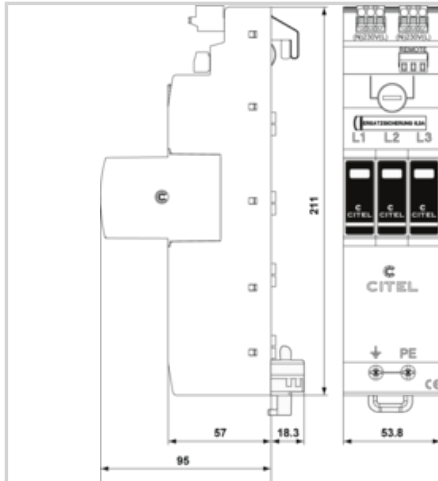
Type 1+2+3 AC surge protector - 3-phase+N

CITEL

ZPAC1-13VG-PRO-SU



- Type 1+2+3 AC Surge protection
- VG Technology
- For 40 mm busbar systems
- Iimp 8 kA (10/350 μs)
- Reduces energy costs: Does not produce flow current and leakage current
- Certified IEC 61643-11 and EN 61643-11



| Electrical Characteristics | |
|--|---|
| SPD type | 1+2+3 |
| Network | 230/400 V 3-phase+N |
| AC system | TT-TNS |
| Nominal line voltage | Un 230/400 Vac |
| Max. AC operating voltage | Uc 275 Vac |
| Temporary Over Voltage (TOV) Characteristics - 5 sec. Without disconnection | UT 335 Vac withstand |
| Temporary Over Voltage (TOV) Characteristics - 120 mn Without disconnection or with safety disconnection | UT 440 Vac withstand |
| Temporary Over Voltage N/PE (TOV HT) Without disconnection or with safety disconnection | UT 1200 V/300A/200 ms withstand |
| Residual Current | Ipe None |
| Leakage current to Ground | Ipe None |
| Follow current | If None |
| Nominal discharge current 15 x 8/20 μs impulses | In 20 kA |
| Max. discharge current max. withstand @ 8/20 μs by pole | Imax 50 kA |
| Impulse current by pole max. withstand 10/350μs by pole | Iimp 12.5 kA |
| Total lightning current max. total withstand @ 10/350μs | Itotal 50 kA |
| Withstand on Combination waveform IEC 61643-11 Class III test: 1.2/50μs - 8/20μs | Uoc 6 kV |
| Withstand on overvoltages IEEE C62.41.1 | 20 kV |
| Specific energy by pole max. withstand 10/350 μs | W/R 40 kJ/ohm |
| Connection mode(s) | L/N and N/PE |
| Protection mode(s) | Common/Differential mode |
| Protection level L/N @ In (8/20μs) | Up L/N 1.5 kV |
| Protection level L/PE @ In (8/20μs) | Up L/PE 1.5 kV |
| Residual voltage L/N at 5 kA @ 5 kA (8/20μs) | Up-5kA 0.7 kV |
| Admissible short-circuit current | Iscrc 50 000 A |
| Mechanical Characteristics | |
| Technology | VG Technology (MOV+GSG) |
| SPD configuration | 3-phase+Neutral |
| Connection to Network | By 40mm busbar and wire for PE: 6-35mm² (50mm²) |
| Format | Plug-in modular box |
| Mounting | 40 mm busbar systems |
| Housing material | Thermoplastic UL94 V-0 |
| Operating temperature | Tu -40/+85°C |
| Protection rating | IP20 |
| Failsafe mode | Disconnection from AC network |
| Disconnection indicator | 1 mechanical indicator by pole |
| Spare module(s) | ZMDAC1-13VG-PRO-275 |
| Remote signaling of disconnection | Output on changeover contact |
| Wiring for remote signaling | 1.5 mm² max. |
| Max. Voltage/Current for remote signaling | 250 V / 0.5 A (AC) / 30 V / 2 A (DC) |
| Dimensions | See diagram |
| Weight | 0.7401 kg |
| Disconnectors | |
| Thermal disconnector | Internal |
| Installation ground fault breaker | Type 'S' or delayed |
| Back-up protection device | max. 315 A (gL/gG) |
| Standards | |

ZPAC1-13VG-PRO-SU

| | |
|----------------------|--|
| Standards compliance | IEC 61643-11 / EN 61643-11 / UL1449 4ed. |
| Certification | KEMA |
| Part number | 64092 |