



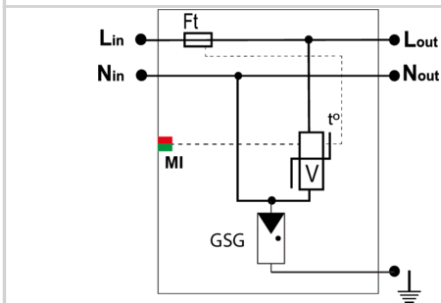
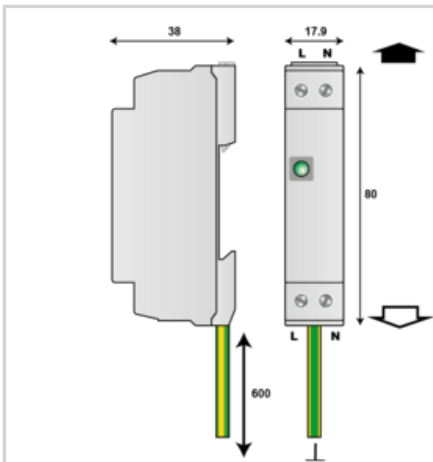
## Surge protector for LED lighting system Class 1

# CITEL

## DLPM1-230L/15K



- Type 2 (or 3) surge protectors for LED class I
- For 230 V single-phase network
- Maximum efficiency: protection level  $U_p = 1\text{ kV}$
- $I_{max}$ : 15 kA
- Mechanical status indicator
- Very compact (low profile)
- DIN rail mounting
- Screw terminal connection
- AC line Disconnection in end of life
- EN 61643-11, IEC 61643-11 compliance



V: Varistor  
 GSG: Specific gas tube  
 Ft: Thermal fuse  
 MI: Mechanical status indicator  
 t°: Thermal system disconnection

Electrical Characteristics	
SPD type	2 (or 3)
Network	220-240 V Single-phase
AC system	TT-TN
Nominal line voltage	$U_n$ 230-277 Vac
Max. AC operating voltage	$U_c$ 320 Vac
Max. load current @25°C	$I_L$ 10 A
Temporary Over Voltage (TOV) Characteristics - 5 sec. Without disconnection	UT 335 Vac withstand
Temporary Over Voltage (TOV) Characteristics - 120 mn Without disconnection or with safety disconnection	UT 440 Vac disconnection
Temporary Over Voltage N/PE (TOV HT) Without disconnection or with safety disconnection	UT 1200 V/300A/200 ms disconnection
Residual Current Leakage current to Ground	$I_{pe}$ None
Nominal discharge current 15 x 8/20 $\mu$ s impulses	$I_n$ 5 kA
Max. discharge current max. withstand @ 8/20 $\mu$ s by pole	$I_{max}$ 15 kA
Total Maximum discharge current max. total withstand @ 8/20 $\mu$ s	$I_{max}$ Total 20 kA
Withstand on Combination waveform IEC 61643-11 Class III test: 1.2/50 $\mu$ s - 8/20 $\mu$ s	$U_{oc}$ 10 kV / 5 kA
Withstand on overvoltages IEEE C62.41.1	10 kV / 10 kA
Protection mode(s)	Common/Differential mode
Protection level Following the test category C3 (IEC61643-21) - Line/Line	$U_p$ 1 kV
Protection level Following the test category C3 (IEC61643-21) - Line/PE	$U_p$ 1.5 kV
Admissible short-circuit current	$I_{sc}$ 10 000 A
Mechanical Characteristics	
Technology	MOV+GDT
Connection to Network	Screw terminal 2.5 mm <sup>2</sup> max. Earthing conductor 2 mm <sup>2</sup> - length 60 cm
Mounting	Symmetrical rail 35 mm (EN 60715)
Housing material	Thermoplastic UL94 V-0
Operating temperature	$T_u$ -40/+85°C
Protection rating	IP20
Failsafe mode	Disconnection from AC network
Disconnection indicator	LED green OFF and AC network cut-off
Voltage/operating indicator	Green Indicator
Remote signaling of disconnection	No
Dimensions	See diagram
Weight	0.073 kg
Disconnectors	
Thermal disconnector	Internal
Installation ground fault breaker	Type 'S' or delayed
Standards	
Standards compliance	EN 61643-11 / IEC 61643-11
Part number	355973

