



Type 2 AC surge protector - Single-phase

CITEL

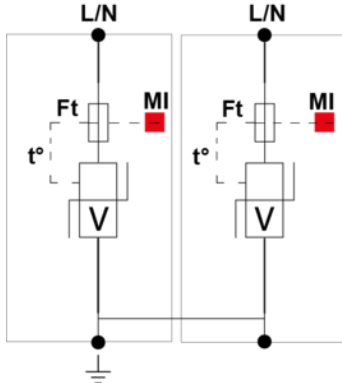
DS42-230



- ↳ Discover our latest innovation : the [DAC50-20-150](#)
- ↳ Type 2 AC Multipolar surge protector
- ↳ In: 20 kA
- ↳ I_{max} total: 80 kA
- ↳ Pluggable module for each phase
- ↳ Remote signaling option
- ↳ EN 61643-11, IEC 61643-11, UL1449 ed.5 certified



	Electrical Characteristics	
	SPD type	2
	Network	230 V single-phase
	AC system	TN
	Nominal line voltage	Un 230 Vac
	Max. AC operating voltage	Uc 255 Vac
	Temporary Over Voltage (TOV) Characteristics - 5 sec. Without disconnection	UT 335 Vac withstand
	Temporary Over Voltage (TOV) Characteristics - 120 mn Without disconnection or with safety disconnection	UT 440 Vac disconnection
	Residual Current Leakage current to Ground	I _{pe} < 1 mA
	Follow current	I _f None
	Nominal discharge current 15 x 8/20 μs impulses	I _n 20 kA
	Max. discharge current max. withstand @ 8/20 μs by pole	I _{max} 40 kA
	Total Maximum discharge current max. total withstand @ 8/20 μs	I _{max} Total 80 kA
	Connection mode(s)	L/PE and N/PE
	Protection mode(s)	Common mode
	Residual voltage at 5 kA @ 5 kA (8/20μs)	U _{p-5kA} 0.9 kV
	Protection level L/PE @ I _n (8/20μs)	U _p L/PE 1.25 kV
	Admissible short-circuit current	I _{sc} 25 000 A
	Mechanical Characteristics	
	Technology	MOV
	SPD configuration	Single phase
	Connection to Network	By screw terminals: 2.5-25mm ² / by bus
	Format	Plug-in modular box
	Mounting	Symmetrical rail 35 mm (EN 60715)
	Housing material	Thermoplastic UL94 V-0
	Operating temperature	T _u -40/+85°C
	Protection rating	IP20
	Failsafe mode	Disconnection from AC network
	Disconnection indicator	1 mechanical indicator by pole
	Spare module(s)	DSM40-230
	Remote signaling of disconnection	option DS42S-230 : output on changeover contact
	Dimensions	See diagram
	Weight	0.182 kg
	Disconnectors	
	Thermal disconnector	Internal
	Installation ground fault breaker	Type 'S' or delayed
	Back-up protection device	Fuses type gG - 50 A
	Standards	
	Standards compliance	IEC 61643-11 / EN 61643-11 / UL1449 ed.5
	Certification	UL / TUV
	Part number	
	461501	



V: High-energy varistor
 Ft: Thermal fuse
 t°: Thermal disconnection system
 MI: Disconnection indicator

