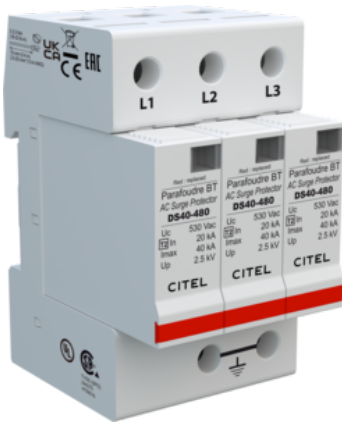
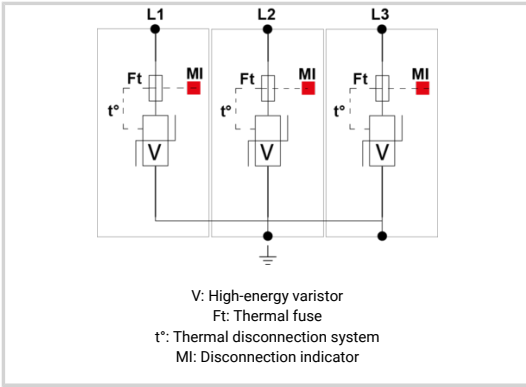


DS43-480



- Type 2 AC Multipolar surge protector
- In : 20 kA
- I_{max} total : 120 kA
- Pluggable module for each phase
- Remote signaling option
- EN 61643-11, IEC 61643-11 compliance
- UL1449 ed.5



Electrical Characteristics	
SPD type	2
Network	800 V 3-phase
AC system	TNS
Nominal line voltage	Un 480 Vac
Max. AC operating voltage	Uc 530 Vac
Temporary Over Voltage (TOV) Characteristics - 5 sec. Without disconnection	UT 700 Vac withstand
Temporary Over Voltage (TOV) Characteristics - 120 mn Without disconnection or with safety disconnection	UT 915 Vac disconnection
Residual Current Leakage current to Ground	I _{pe} < 1.5 mA
Follow current	I _f None
Nominal discharge current 15 x 8/20 μs impulses	I _n 20 kA
Max. discharge current max. withstand @ 8/20 μs by pole	I _{max} 40 kA
Total Maximum discharge current max. total withstand @ 8/20 μs	I _{max} Total 120 kA
Connection mode(s)	L/PE
Protection mode(s)	Common mode/Differential mode
Protection level L/PE @ In (8/20μs)	Up L/PE 2.5 kV
Admissible short-circuit current	I _{sc} 25 000 A
Mechanical Characteristics	
Technology	MOV
SPD configuration	3-phase
Connection to Network	By screw terminals: 2.5-25mm ² / by bus
Format	Plug-in modular box
Mounting	Symmetrical rail 35 mm (EN 60715)
Housing material	Thermoplastic UL94 V-0
Operating temperature	T _u -40/+85°C
Protection rating	IP20
Failsafe mode	Disconnection from AC network
Disconnection indicator	1 mechanical indicator by pole
Spare module(s)	DSM40-480
Remote signaling of disconnection	option DS43S-480 : output on changeover contact
Dimensions	See diagram
Weight	0.31 kg
Disconnectors	
Thermal disconnector	Internal
Installation ground fault breaker	Type 'S' or delayed
Fuses	Fuses type gG - 50 A
Standards	
Standards compliance	IEC 61643-11 / EN 61643-11 / UL1449 ed.5
Certification	CSA /EAC/UL
Part number	
461007	