



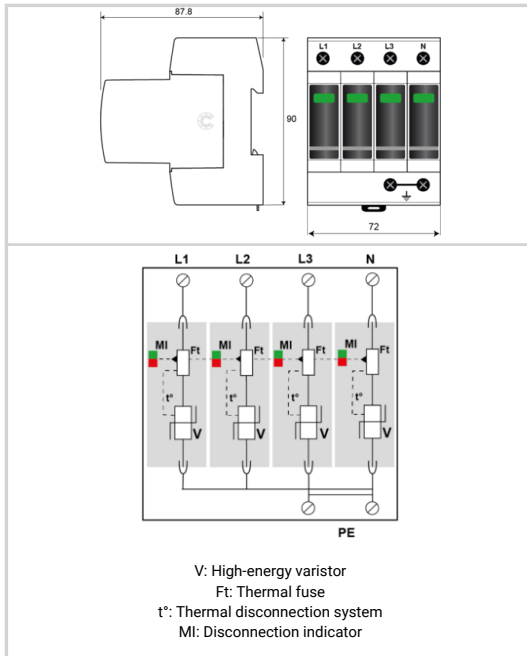
Type 1+2 AC surge protector - 3-phase+N

CITEL

DAC1-13-40-320



- Type 1 + 2 AC multipolar surge protector
- In: 20 kA
- Iimp: 12.5 kA
- Pluggable module for each phase
- Remote signaling (option)
- EN 61643-11, IEC 61643-11 certified
- UL1449 ed.5 compliance



Electrical Characteristics			
SPD type	IEC	1+2	
Network		230/400 V 3-phase+N	
AC system		TNS	
Max. AC operating voltage	Uc	320 Vac	
Temporary Over Voltage (TOV) Characteristics - 5 sec. Without disconnection	UT	335 Vac withstand	
Temporary Over Voltage (TOV) Characteristics - 120 mn Without disconnection or with safety disconnection	UT	440 Vac disconnection	
Residual Current Leakage current to Ground	Ipe	< 1 mA	
Follow current	If	None	
Nominal discharge current 15 x 8/20 μs impulses	In	20 kA	
Max. discharge current max. withstand @ 8/20 μs by pole	I _{max}	50 kA	
Total Maximum discharge current max. total withstand @ 8/20 μs	I _{max} Total	200 kA	
Impulse current by pole max. withstand 10/350 μs by pole	I _{imp}	12.5 kA	
Impulse current N/PE max. withstand 10/350 μs	I _{imp} N /PE	50 kA	
Total lightning current max. total withstand @ 10/350 μs	I _{total}	50 kA	
Specific energy by pole max. withstand 10/350 μs	W/R	40 kJ/ohm	
Protection mode(s)		L/PE and N/PE	
Protection level N/PE @ In (8/20 μs)	Up N/PE	1.6 kV	
Protection level L/PE @ In (8/20 μs)	Up L/PE	1.6 kV	
Protection level N/PE at 5 kA @ 5 kA (8/20 μs)	Up-5kA	1.2 kV	
Residual voltage L/PE at 5 kA @ 5 kA (8/20 μs)	Up-5kA	1.2 kV	
Admissible short-circuit current	I _{sc}	50 000 A	
Mechanical Characteristics			
Technology		VG Technology (MOV+GSG)	
SPD configuration		3-phase+Neutral	
Connection to Network		By screw terminals: 2.5-25mm ² (35mm ² rigid)	
Format		Plug-in modular box	
Mounting		Symmetrical rail 35 mm (EN 60715)	
Housing material		Thermoplastic UL94 V-0	
Operating temperature	Tu	-40/+85°C	
Protection rating		IP20	
Failsafe mode		Disconnection from AC network	
Disconnection indicator		1 mechanical indicator by pole - Red/Green	
Spare module(s)		MDAC1-13-320	
Remote signaling of disconnection		option DAC1-13S-40-320 : output on changeover contact	
Dimensions		See diagram - 4TE (EN43880)	
Weight		0.718 kg	
Disconnectors			
Thermal disconnecter		Internal	
Installation ground fault breaker		Type 'S' or delayed	
Back-up protection device		315 A max. - Fuses Type gG	
Standards			
Standards compliance		IEC 61643-11 / EN 61643-11 / UL1449 ed.5	
Certification		KEMA	
Part number			
821710314			

