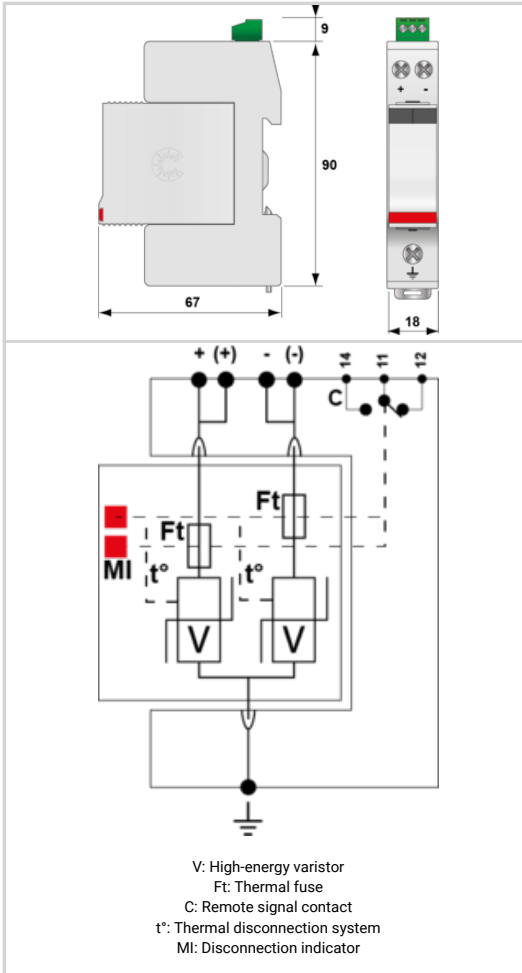




- Discover our latest innovation : the [DDC20CS-20-38](#)
- DC power surge protector
- 24 Vdc
- Compact design
- I<sub>max</sub> : 20 kA
- Pluggable module
- Remote signaling
- Very low U<sub>p</sub> protection level



Electrical Characteristics		
SPD type		2
Network		DC or PV network 24Vdc
Nominal DC voltage	Un-dc	24 Vdc
Nominal PV voltage	Uocstc	24 Vdc
Max. PV operating voltage	Ucpv	38 Vdc
Max. PV operating voltage (star mounting)	Ucpv	38 Vdc
Max. DC operating voltage	Uc	38 Vdc
Max. load current @25°C	IL	50 A
Residual Current Leakage current to Ground	Ipe	< 0.1 mA
PV Permanent Operating Current consumption at Ucpv	Icpv	< 0.1 mA
Follow current	If	None
Nominal discharge current 15 x 8/20 μs impulses	In	10 kA
Max. discharge current max. withstand @ 8/20 μs by pole	I <sub>max</sub>	20 kA
Total Maximum discharge current max. total withstand @ 8/20 μs	I <sub>max</sub> Total	40 kA
Current withstand short circuit PV	Iscpv	1000 A
Connection mode(s)		+/-/PE
Protection mode(s)		Common mode
Protection level +/-/PE (-/PE) @ In (8/20μs)	Up	250 V
Mechanical Characteristics		
Technology		MOV
SPD configuration		2-poles
Connection to Network		By screw terminals: 1.5-10mm <sup>2</sup> (actives wires) and 2.5-25mm <sup>2</sup> (ground)
Format		Plug-in modular box
Mounting		Symmetrical rail 35 mm (EN 60715)
Housing material		Thermoplastic UL94 V-0
Operating temperature	Tu	-40/+85°C
Protection rating		IP20
Failsafe mode		Disconnection from DC network
Disconnection indicator		2 mechanical indicators
Spare module(s)		DSM220-24DC
Remote signaling of disconnection		Output on changeover contact
Dimensions		See diagram
Disconnectors		
Thermal disconnector		Internal
Back-up protection device		Fuses type gG - 20A
Standards		
Standards compliance		IEC 61643-11 / EN 61643-11 / UL1449 ed.5
Certification		UL Recognized
Part number		
390511		

