



CITEL

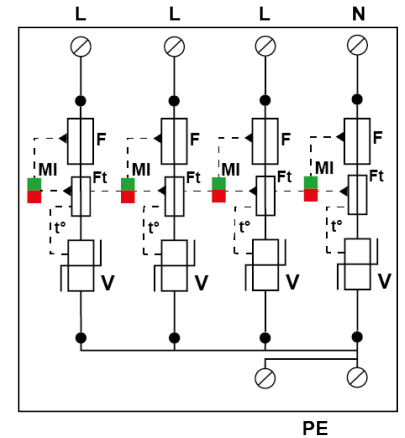
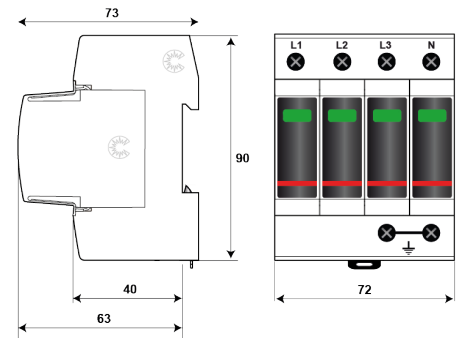


DACF25-40-275



- Type 2 AC Multipolar surge protector
- In : 15 kA
- I_{max} total : 100 kA
- Internal Fuse
- Pluggable module for each phase
- Remote signaling option
- NF EN 61643-11, CEI 61643-11 compliance
- UL1449 ed.12

Electrical Characteristics		
SPD type <i>following IEC test</i>		2
Network		230/400 V 3-phase+N
AC system		TNS
Max. AC operating voltage L-N	<i>U_c</i>	275 Vac
Temporary Over Voltage (TOV) Characteristics - 5 sec. <i>without disconnection</i>	<i>U_T</i>	335 Vac withstand
Temporary Over Voltage (TOV) Characteristics - 120 mn <i>without disconnection or with safety disconnection</i>	<i>U_T</i>	440 Vac disconnection
Residual Current <i>Leakage current to Ground</i>	<i>I_{pe}</i>	< 1 mA
Follow current	<i>I_f</i>	None
Nominal discharge current <i>15 x 8/20 μs impulses</i>	<i>I_n</i>	15 kA
Max. discharge current <i>max. withstand @ 8/20 μs by pole</i>	<i>I_{max}</i>	25 kA
Total Maximal discharge current <i>max. total withstand @ 8/20 μs</i>	<i>I_{max Total}</i>	100 kA
Admissible short-circuit current	<i>I_{sc}</i>	100000 A
Connection mode(s)		L/PE and N/PE
Protection level L/PE <i>@ I_n (8/20 μs)</i>	<i>U_{p L/PE}</i>	1.25 kV
Protection level N/PE <i>@ I_n (8/20 μs)</i>	<i>U_{p N/PE}</i>	1.25 kV
Mechanical Characteristics		
Technology		MOV
SPD configuration		3-phase+Neutral
Connection to Network		By screw terminals: 2.5-25 mm ² / by bus
Format		Plug-in modular box
Mounting		Symmetrical rail 35 mm (EN60715)
Housing material		Thermoplastic UL94-V0
Operating temperature		-40/+85°C
Protection rating		IP20
Failsafe behavior		Disconnection
Disconnection indicator		1 mechanical indicator by pole
Spare module(s)		MDACF25-275
Remote signaling of disconnection		option DACF25S-40-275 : output on changeover contact
Dimensions		See diagram



V: High-energy varistor
 Ft: Thermal fuse
 F : Overcurrent protection (fuse) t°: Thermal disconnection system
 MI: Disconnection indicator



CITEL

Disconnectors		
Thermal disconnecter		Internal
Installation ground fault breaker		Type 'S' or delayed
Fuses		Integrated Fuse
Standards		
Standards compliance		IEC 61643-11 / EN 61643-11 / UL1449 4ed.
Certification		-
Part Number		821410214