



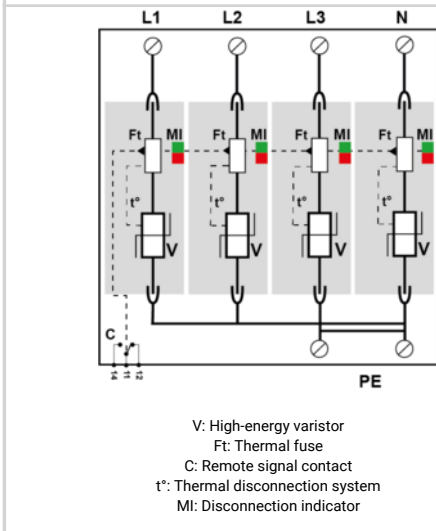
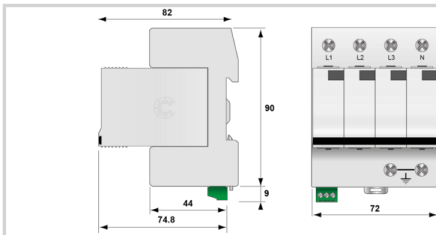
Type 1+2 AC surge protector

CITEL

DS134RS-230



- Discover our latest innovation : the [DAC1-13S-40-275](#)
- Type 1 + 2 AC multipolar surge protector
- In : 20 kA
- Iimp total : 50 kA
- Pluggable module for each phase
- Remote signaling
- EN 61643-11, IEC 61643-11 compliance



Electrical Characteristics		
SPD type	IEC	1+2
Network		230/400 V 3-phase+N
AC system		TNS
Nominal line voltage	Un	230 Vac
Max. AC operating voltage	Uc	255 Vac
Temporary Over Voltage (TOV) Characteristics - 5 sec. Without disconnection	UT	335 Vac withstand
Temporary Over Voltage (TOV) Characteristics - 120 mn Without disconnection or with safety disconnection	UT	440 Vac disconnection
Follow current	If	None
Nominal discharge current 15 x 8/20 μs impulses	In	20 kA
Max. discharge current max. withstand @ 8/20 μs by pole	Imax	50 kA
Impulse current by pole max. withstand 10/350 μs by pole	Iimp	12.5 kA
Total lightning current max. total withstand @ 10/350 μs	Itotal	50 kA
Withstand on overvoltages IEEE C62.41.1		20 kV
Specific energy by pole max. withstand 10/350 μs	W/R	40 kJ/ohm
Connection mode(s)		L/PE and N/PE
Protection mode(s)		Common mode
Protection level N/PE @ In (8/20 μs)	Up N/PE	1.3 kV
Protection level L/PE @ In (8/20 μs)	Up L/PE	1.3 kV
Admissible short-circuit current	Iscrr	25 000 A
Mechanical Characteristics		
Technology		MOV
SPD configuration		3-phase+Neutral
Connection to Network		By screw terminals: 2.5-25mm ² / by bus
Format		Plug-in modular box
Mounting		Symmetrical rail 35 mm (EN 60715)
Housing material		Thermoplastic UL94 V-0
Operating temperature	Tu	-40/+85°C
Protection rating		IP20
Failsafe mode		Disconnection from AC network
Disconnection indicator		1 mechanical indicator by pole
Spare module(s)		DSM130R-230
Remote signaling of disconnection		Output on changeover contact
Dimensions		See diagram
Weight		0.558 kg
Disconnectors		
Thermal disconnector		Internal
Installation ground fault breaker		Type 'S' or delayed
Back-up protection device		Fuses Type gG - 125 A
Standards		
Standards compliance		IEC 61643-11 / EN 61643-11 / UL1449 ed.5
Certification		
Part number		
571514		

