



CITEL



## DAC50-40-320

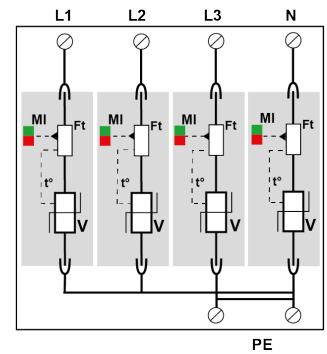
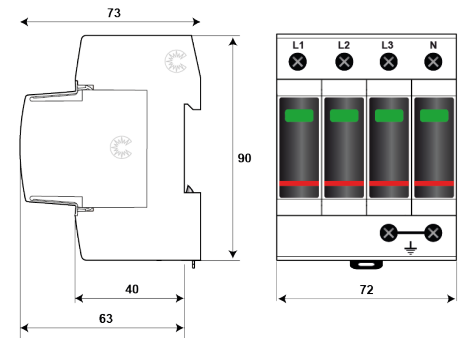


- Type 2 AC surge protector
- $I_n$  : 20 kA
- $I_{max}$  : 50 kA
- Pluggable module for each phase
- Remote signaling option
- NF EN 61643-11, IEC 61643-11 compliance

Electrical Characteristics		
SPD type <i>following IEC test</i>		2
Network		230/400 V 3-phase+N
AC system		TNS
Max. AC operating voltage L-N	$U_c$	320 Vac
Temporary Over Voltage (TOV) Characteristics - 5 sec. <i>without disconnection</i>	$U_T$	335 Vac withstand
Temporary Over Voltage (TOV) Characteristics - 120 mn <i>without disconnection or with safety disconnection</i>	$U_T$	440 Vac disconnection
Residual Current <i>Leakage current to Ground</i>	$I_{pe}$	< 1 mA
Follow current	$I_f$	None
Nominal discharge current <i>15 x 8/20 <math>\mu</math>s impulses</i>	$I_n$	20 kA
Max. discharge current <i>max. withstand @ 8/20 <math>\mu</math>s by pole</i>	$I_{max}$	50 kA
Total Maximal discharge current <i>max. total withstand @ 8/20 <math>\mu</math>s</i>	$I_{max}$ <i>Total</i>	200 kA
Admissible short-circuit current	$I_{sc}$	50000 A
Protection level L/PE <i>@ <math>I_n</math> (8/20<math>\mu</math>s)</i>	$U_p$ L/PE	1.5 kV
Protection level N/PE <i>@ <math>I_n</math> (8/20<math>\mu</math>s)</i>	$U_p$ N/PE	1.5 kV

Mechanical Characteristics		
Technology		MOV
SPD configuration		3-phase+Neutral
Connection to Network		By screw terminals: 2.5-25 mm <sup>2</sup> / by bus
Format		Plug-in modular box
Mounting		Symmetrical rail 35 mm (EN60715)
Housing material		Thermoplastic UL94-V0
Operating temperature		-40/+85°C
Protection rating		IP20
Failsafe behavior		Disconnection
Disconnection indicator		1 mechanical indicator by pole
Spare module(s)		MDAC50-320
Remote signaling of disconnection		option DAC50S-40-320 : output on changeover contact
Dimensions		See diagram

Disconnectors		
Thermal disconnector		Internal
Installation ground fault breaker		Type 'S' or delayed
Fuses		Fuses Type gG - 125 A



V: High-energy varistor  
Ft: Thermal fuse  
t°: Thermal disconnection system  
MI: Disconnection indicator



CITEL

<b>Standards</b>		
Standards compliance		IEC 61643-11 / EN 61643-11 / UL1449 4ed.
Certification		OVE
<b>Part Number</b>		821110314