



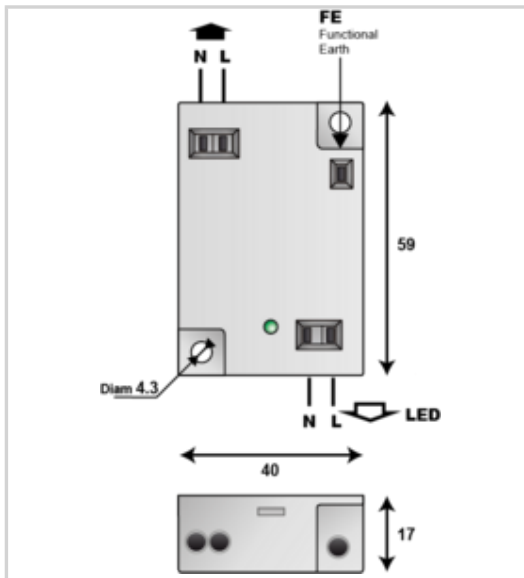
# Surge and Electrostatic protector for Class II LED lighting system

# CITEL

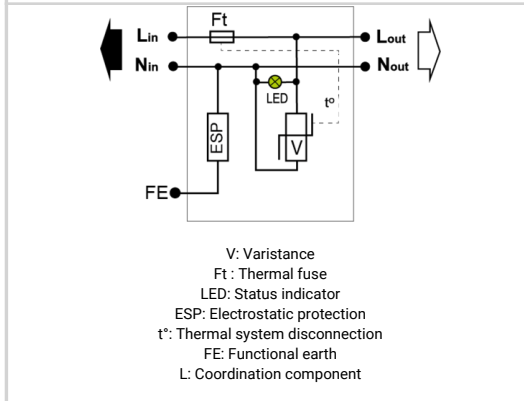
## MLPC2-230L-R/ESP2



- Type 2 (or 3) Surge & Electrostatic protectors
- For Class II Led lighting
- Improved coordination with internal MOV
- Electrostatic protection included
- Comply class II safety rules
- Very compact
- Plate mounting
- Spring terminal connection
- Status indicator
- End of life AC Disconnection
- IEC 61643-11 and EN 61643-11 compliance



Electrical Characteristics	
SPD type	2+3
Network	220-240 V Single-phase
AC system	TT-TN
Max. AC operating voltage	Uc 320 Vac
Max. load current @25°C	IL 5 A
Temporary Over Voltage (TOV) Characteristics - 5 sec. Without disconnection	UT 335 Vac withstand
Temporary Over Voltage (TOV) Characteristics - 120 mn Without disconnection or with safety disconnection	UT 440 Vac disconnection
Residual Current Leakage current to Ground	Ipe None
Nominal discharge current 15 x 8/20 μs impulses	In 5 kA
Max. discharge current max. withstand @ 8/20 μs by pole	Imax 10 kA
Total Maximum discharge current max. total withstand @ 8/20 μs	Imax Total 20 kA
Withstand on Combination waveform IEC 61643-11 Class III test: 1.2/50μs - 8/20μs	Uoc 10 kV
Withstand on overvoltages IEEE C62.41.1	10 kV / 10 kA
Protection level @ In (8/20μs)	Up 1.5 kV
Admissible short-circuit current	Iscrr 10 000 A
Electrostatic protection level	Uesp > 0.5 kV
Electrostatic protection mode	N/Functional Earth



Mechanical Characteristics	
Connection to Network	2 screw terminals opposite side in/out - wire 2.5mm² max.
Mounting	On plate
Housing material	Thermoplastic UL94 V-0
Operating temperature	Tu -40/+85°C
Protection rating	IP20
Failsafe mode	Disconnection and AC line cut-off
Disconnection indicator	LED green OFF and AC network cut-off
Voltage/operating indicator	Green Led ON
Dimensions	See diagram
Weight	0.035 kg
Disconnectors	
Thermal disconnector	Internal
Installation ground fault breaker	Type 'S' or delayed
Standards	
Standards compliance	EN 61643-11 / IEC 61643-11
Part number	
832217	

