



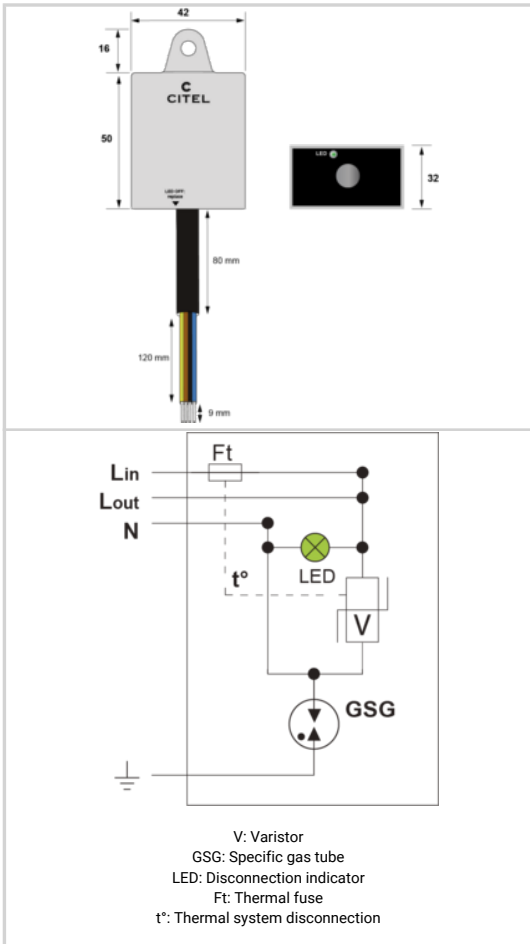
# Compact Type 2 hard wired surge protector

# CITEL

## MLPCA1-230L



- Type 2 (or 3) Single phase surge protector
- Compact
- Wall mounting
- Status indicators
- IP65
- AC disconnection in case of end of life



Electrical Characteristics	
SPD type	2+3
Network	220-240 V Single-phase
AC system	TT-TN
Nominal line voltage	Un 230 V
Max. AC operating voltage	Uc 320 Vac
Max. load current @25°C	IL 10 A
Temporary Over Voltage (TOV) Characteristics - 5 sec. Without disconnection	UT 335 Vac withstand
Temporary Over Voltage (TOV) Characteristics - 120 mn Without disconnection or with safety disconnection	UT 440 Vac disconnection
Follow current	If None
Nominal discharge current 15 x 8/20 μs impulses	In 5 kA
Max. discharge current max. withstand @ 8/20 μs by pole	Imax 10 kA
Total Maximum discharge current max. total withstand @ 8/20 μs	Imax Total 20 kA
Withstand on Combination waveform IEC 61643-11 Class III test: 1.2/50μs - 8/20μs	Uoc 10 kV
Withstand on overvoltages IEEE C62.41.1	10 kV / 10 kA
Protection mode(s)	Common/Differential mode
Protection level @ In (8/20μs)	Up 1.5 kV
Protection level L/N @ In (8/20μs)	Up L/N 1.5 kV
Protection level L/PE @ In (8/20μs)	Up L/PE 1.5 kV
Admissible short-circuit current	Iscrr 10 000 A
Mechanical Characteristics	
Technology	MOV+GDT
Connection to Network	Cable with 4-wire of 1.5mm <sup>2</sup>
Mounting	Wall or plate
Housing material	Thermoplastic UL94 V-0
Operating temperature	Tu -40/+85°C
Protection rating	IP65
Failsafe mode	Disconnection and AC line cut-off
Disconnection indicator	Green LED OFF and line cut off
Voltage/operating indicator	Green Led ON
Dimensions	See diagram
Weight	0.142 kg
Disconnectors	
Thermal disconnector	Internal
Installation ground fault breaker	Type 'S' or delayed
Standards	
Standards compliance	IEC 61643-11 / EN 61643-11 / UL1449 ed.5
Part number	<b>835261</b>

