



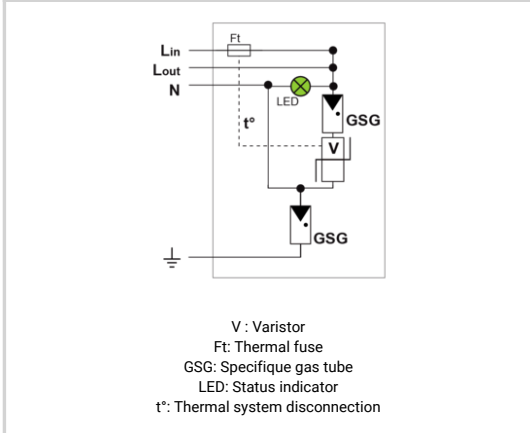
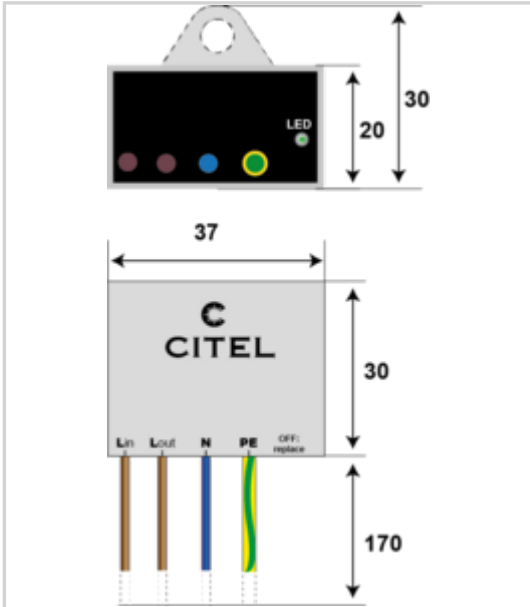
Ultra Compact Type 2+3 hard wired surge protector

CITEL

MLPX1VG-230L-W/IP20



- Ultra compact Type 2+3 hard wired surge protectors
- Wall mounting and hard wired connection
- VG Technology
- No aging
- Bracket breakable
- Disconnection signaling by indicator
- AC disconnection in case of end of life
- EN 61643-11, IEC 61643-11 and UL1449 4ed. compliance



Electrical Characteristics		
SPD type		2+3
Network		230-277 V Single-phase
AC system		TT-TN
Nominal line voltage	Un	230 V
Max. AC operating voltage	Uc	320 Vac
Max. load current @25°C	IL	10 A
Temporary Over Voltage (TOV) Characteristics - 5 sec. Without disconnection	UT	335 Vac withstand
Temporary Over Voltage (TOV) Characteristics - 120 mn Without disconnection or with safety disconnection	UT	440 Vac withstand
Temporary Over Voltage N/PE (TOV HT) Without disconnection or with safety disconnection	UT	1200 V/300A/200 ms disconnection
Residual Current Leakage current to Ground	Ipe	None
Nominal discharge current 15 x 8/20 μs impulses	In	5 kA
Max. discharge current max. withstand @ 8/20 μs by pole	Imax	10 kA
Total Maximum discharge current max. total withstand @ 8/20 μs	Imax Total	20 kA
Withstand on Combination waveform IEC 61643-11 Class III test: 1.2/50μs - 8/20μs	Uoc	10 kV
Withstand on overvoltages IEEE C62.41.1		10 kV / 10 kA
Protection mode(s)		Common/Differential mode
Protection level L/N @ In (8/20μs)	Up L/N	1.5 kV
Protection level L/PE @ In (8/20μs)	Up L/PE	1.5 kV
Admissible short-circuit current	Iscsr	10 000 A
Mechanical Characteristics		
Technology		MOV+GDT
Connection to Network		By wires: 1.5mm ² (L/N) and 2.5mm ² (PE)
Mounting		Wall or plate
Housing material		Thermoplastic UL94 V-0
Operating temperature	Tu	-40/+85°C
Protection rating		IP20
Failsafe mode		Disconnection and AC line cut-off
Disconnection indicator		LED green OFF and AC network cut-off
Voltage/operating indicator		Green Led ON
Remote signaling of disconnection		No
Dimensions		See diagram
Weight		0.038 kg
Disconnectors		
Thermal disconnector		Internal
Installation ground fault breaker		Type 'S' or delayed
Standards		
Standards compliance		IEC 61643-11 / EN 61643-11 / UL1449 ed.5
Part number		711296

