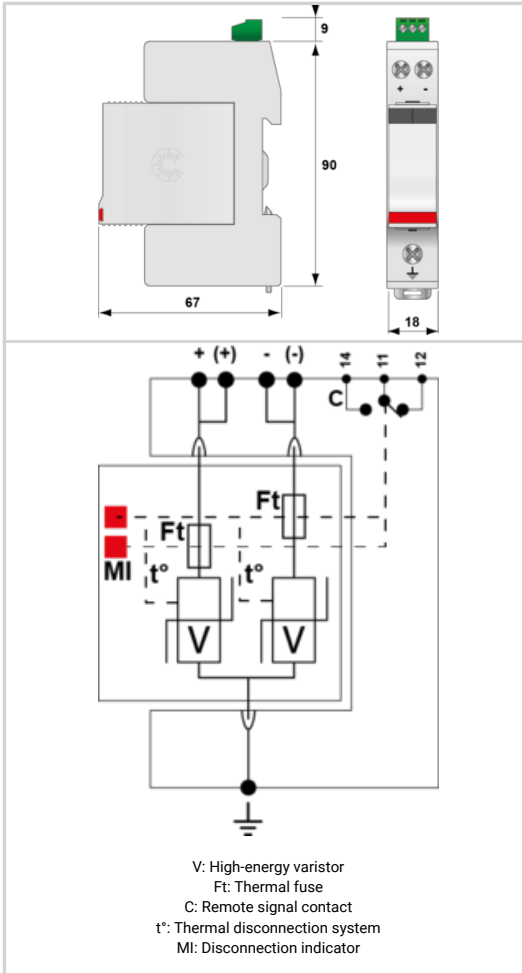




- Discover our latest innovation : the [DDC40CS-20-125](#)
- DC power surge protector
- 95 Vdc
- Compact design
- I_{max}: 40 kA
- Pluggable module
- Remote signaling
- Very low U_p protection level



| Electrical Characteristics | | |
|--|------------------------|--|
| SPD type | | 2 |
| Network | | DC or PV network 95Vdc |
| Nominal DC voltage | Un-dc | 95 Vdc |
| Nominal PV voltage | Uocstc | 95 Vdc |
| Max. AC operating voltage | Uc | 95 Vac |
| Max. PV operating voltage | Ucpv | 125 Vdc |
| Max. DC operating voltage | Uc | 125 Vdc |
| Max. load current @25°C | IL | 50 A |
| Residual Current Leakage current to Ground | Ipe | < 0.1 mA |
| PV Permanent Operating Current consumption at Ucpv | Icpv | < 0.1 mA |
| Follow current | If | None |
| Nominal discharge current 15 x 8/20 μs impulses | In | 20 kA |
| Max. discharge current max. withstand @ 8/20 μs by pole | I _{max} | 40 kA |
| Total Maximum discharge current max. total withstand @ 8/20 μs | I _{max} Total | 80 kA |
| Current withstand short circuit PV | Iscpv | 1000 A |
| Connection mode(s) | | +/-/PE |
| Protection mode(s) | | Common mode |
| Protection level +/-PE (-/PE) @ In (8/20μs) | Up | 450 V |
| Mechanical Characteristics | | |
| Technology | | MOV |
| SPD configuration | | 2-poles |
| Connection to Network | | By screw terminals: 1.5-10mm ² (actives wires) and 2.5-25mm ² (ground) |
| Format | | Plug-in modular box |
| Mounting | | Symmetrical rail 35 mm (EN 60715) |
| Housing material | | Thermoplastic UL94 V-0 |
| Operating temperature | Tu | -40/+85°C |
| Protection rating | | IP20 |
| Failsafe mode | | Disconnection from DC network |
| Disconnection indicator | | 2 mechanical indicators |
| Spare module(s) | | DSM240-95DC |
| Remote signaling of disconnection | | Output on changeover contact |
| Dimensions | | See diagram |
| Disconnectors | | |
| Thermal disconnector | | Internal |
| Back-up protection device | | Fuses type gG - 20A |
| Standards | | |
| Standards compliance | | IEC 61643-11 / EN 61643-11 / UL1449 ed.5 |
| Part number | | |
| 310311 | | |

