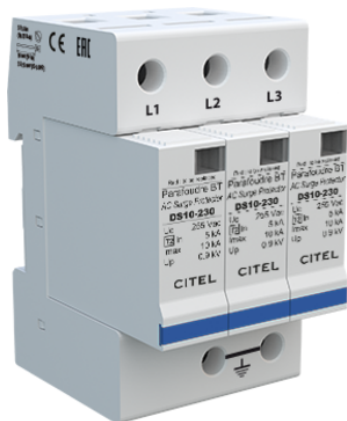
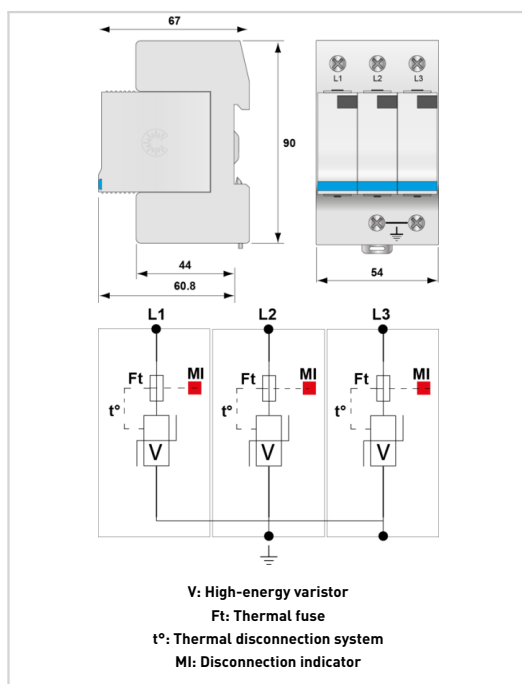


DS13-230


- Type 2 (or 3) AC Multipolar surge protector
- I_n : 5 kA
- I_{max} total: 30 kA
- Pluggable module by phase
- Remote signaling option
- EN 61643-11, CEI 61643-11, UL1449 ed.4 compliance



Caractéristiques Électriques	
SPD type	2 (ou 3)
Network	230/400 V 3-phase
AC system	TNC
Nominal line voltage	U_n 230 Vac
Max. AC operating voltage L-N	U_c 255 Vac
Temporary Over Voltage (TOV) Characteristics - 5 sec. (Without disconnection)	UT 335 Vac withstand
Temporary Over Voltage (TOV) Characteristics - 120 mn (Without disconnection or with safety disconnection)	UT 440 Vac disconnection
Residual Current (Leakage current to Ground)	I_{pe} < 1.5 mA
Operating current (Continuous current at U_c)	I_c 0.5 mA
Follow current	I_f None
Nominal discharge current (15 x 8/20 μ s impulses)	I_n 5 kA
Max. discharge current (max. withstand @ 8/20 μ s by pole)	I_{max} 10 kA
Total Maximal discharge current (max. total withstand @ 8/20 μ s)	I_{max} Total 30 kA
Withstand on Combination waveform IEC 61643-11 (Class III test: 1.2/50 μ s - 8/20 μ s)	U_{oc} 10 kV
Withstand on overvoltages IEEE C62.41.1	10 kV
Connection mode(s)	L/PE
Protection mode(s)	Common mode
Protection level L/PE (@ I_n 8/20 μ s)	U_p L/PE 0.9 kV
Admissible short-circuit current	I_{sc} 25000 A
Caractéristiques Mécaniques	
Technology	MOV
SPD configuration	3-phase
Connection to Network	By screw terminals: 2.5-25 mm ² / by bus
Format	Plug-in modular box
Mounting	Symmetrical rail 35 mm (EN60715)
Housing material	Thermoplastic UL94-V0
Operating temperature	-40/+85°C
Protection rating	IP20
Failsafe mode	Disconnection
Disconnection indicator	1 mechanical indicator by pole
Spare module(s)	DSM10-230
Remote signaling of disconnection	option DS13S-230 : output on changeover contact
Weight	0.262 kg
Déconnecteurs associés	
Thermal disconnector	Internal
Installation ground fault breaker	Type 'S' or delayed
Fuses	20 A min. - 125 A max. - Type gG
Normes	
Standards compliance	IEC 61643-11 / EN 61643-11 / UL1449 4ed.
Certification	UL / EAC / TÜV
Code article	
341503	