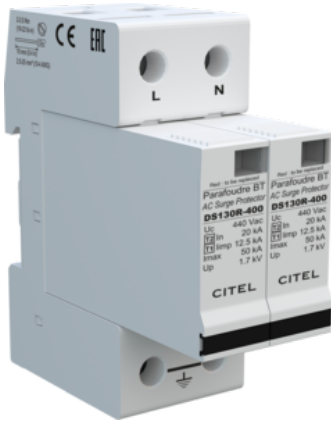




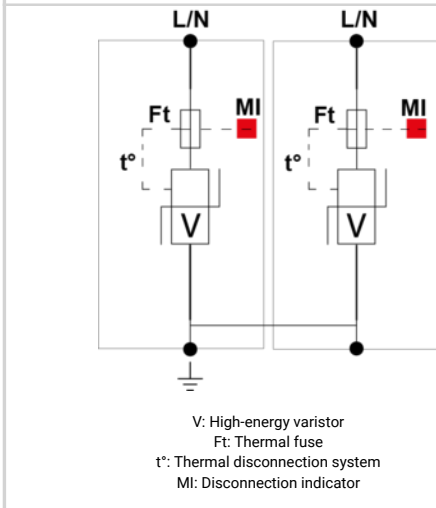
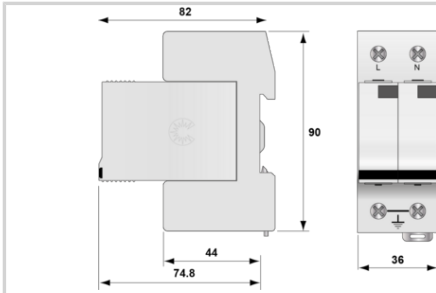
Type 1+2 AC surge protector single-phase

CITEL

DS132R-400



- ↳ Discover our latest innovation : the [DAC1-13-20-440](#)
- ↳ Type 1 + 2 AC multipolar surge protector
- ↳ In : 20 kA
- ↳ Iimp total : 25 kA
- ↳ Pluggable module for each phase
- ↳ Remote signaling (option)
- ↳ EN 61643-11, IEC 61643-11 compliance



Electrical Characteristics	
SPD type	1+2
Network	230 V single-phase
AC system	IT
Nominal line voltage	Un 400 Vac
Max. AC operating voltage	Uc 440 Vac
Temporary Over Voltage (TOV) Characteristics - 5 sec. Without disconnection	UT 580 Vac withstand
Temporary Over Voltage (TOV) Characteristics - 120 mn Without disconnection or with safety disconnection	UT 770 Vac disconnection
Follow current	If None
Nominal discharge current 15 x 8/20 μs impulses	In 20 kA
Max. discharge current max. withstand @ 8/20 μs by pole	Imax 50 kA
Impulse current by pole max. withstand 10/350μs by pole	Iimp 12.5 kA
Total lightning current max. total withstand @ 10/350μs	Itotal 25 kA
Withstand on overvoltages IEEE C62.41.1	20 kV
Specific energy by pole max. withstand 10/350 μs	W/R 40 kJ/ohm
Connection mode(s)	L/PE and N/PE
Protection mode(s)	Common mode
Protection level N/PE @ In (8/20μs)	Up N/PE 1.7 kV
Protection level L/PE @ In (8/20μs)	Up L/PE 1.7 kV
Admissible short-circuit current	Iscrc 25 000 A
Mechanical Characteristics	
Technology	MOV
SPD configuration	Single phase
Connection to Network	By screw terminals: 2.5-25mm ² / by bus
Format	Plug-in modular box
Mounting	Symmetrical rail 35 mm (EN 60715)
Housing material	Thermoplastic UL94 V-0
Operating temperature	Tu -40/+85°C
Protection rating	IP20
Failsafe mode	Disconnection from AC network
Disconnection indicator	1 mechanical indicator by pole
Spare module(s)	DSM130R-400
Remote signaling of disconnection	option DS132RS-400 : output on changeover contact
Dimensions	See diagram
Weight	0.352 kg
Disconnectors	
Thermal disconnector	Internal
Installation ground fault breaker	Type 'S' or delayed
Back-up protection device	Fuses Type gG - 125 A
Standards	
Standards compliance	IEC 61643-11 / EN 61643-11 / UL1449 ed.5
Certification	
Part number	
571402	

