



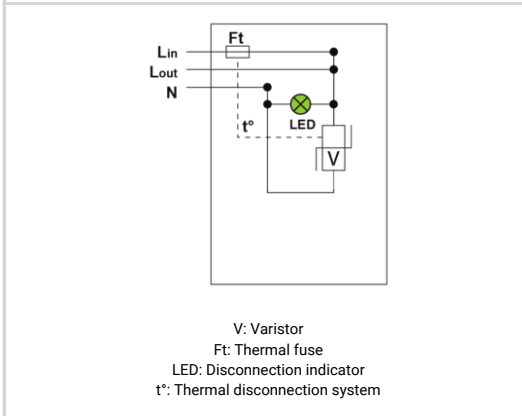
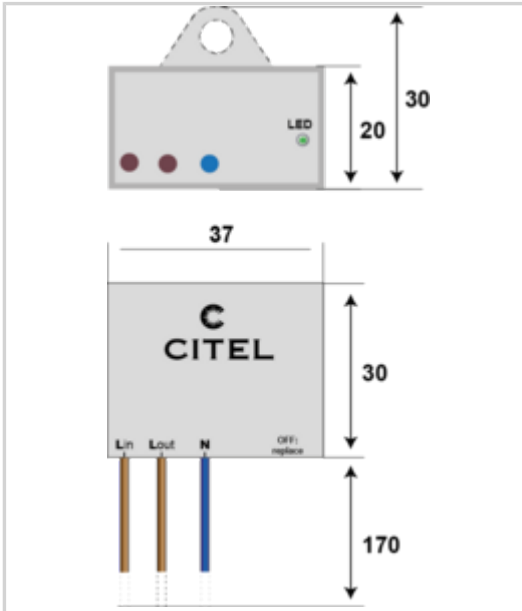
CITEL

Ultra Compact Type 2+3 hard wired surge protector for class II

MLPX2-230L-W/IP20



- Ultra compact Type 2+3 hard wired surge protectors
- Wall mounting and hard wired connection
- Bracket breakable
- Protection rating : IP20
- Disconnection signaling by indicator
- AC disconnection in case of end of life
- EN 61643-11, IEC 61643-11 and UL1449 4ed. compliance



| Electrical Characteristics | | |
|--|------------|--|
| SPD type | | 2+3 |
| Network | | 220-240 V Single-phase |
| AC system | | TT-TN |
| Nominal line voltage | Un | 230 V |
| Max. AC operating voltage | Uc | 320 Vac |
| Max. load current @25°C | IL | 10 A |
| Temporary Over Voltage (TOV) Characteristics - 5 sec. Without disconnection | UT | 335 Vac withstand |
| Temporary Over Voltage (TOV) Characteristics - 120 mn Without disconnection or with safety disconnection | UT | 440 Vac disconnection |
| Temporary Over Voltage N/PE (TOV HT) Without disconnection or with safety disconnection | UT | 1200 V/300A/200 ms disconnection |
| Residual Current Leakage current to Ground | Ipe | None |
| Nominal discharge current 15 x 8/20 μs impulses | In | 5 kA |
| Max. discharge current max. withstand @ 8/20 μs by pole | Imax | 10 kA |
| Total Maximum discharge current max. total withstand @ 8/20 μs | Imax Total | 20 kA |
| Withstand on Combination waveform IEC 61643-11 Class III test: 1.2/50μs - 8/20μs | Uoc | 10 kV |
| Withstand on overvoltages IEEE C62.41.1 | | 10 kV / 10 kA |
| Protection mode(s) | | Differential Mode |
| Protection level L/N @ In (8/20μs) | Up L/N | 1.5 kV |
| Protection level CM/DM @ In (8/20μs) | Up mc/md | 1.5 kV |
| Admissible short-circuit current | Iscsr | 10 000 A |
| Mechanical Characteristics | | |
| Technology | | MOV+GDT |
| Connection to Network | | By wires: 1.5mm ² (L/N) and 2.5mm ² (PE) |
| Mounting | | Wall or plate |
| Housing material | | Thermoplastic UL94 V-0 |
| Operating temperature | Tu | -40/+85°C |
| Protection rating | | IP20 |
| Failsafe mode | | Disconnection and AC line cut-off |
| Disconnection indicator | | LED green OFF and AC network cut-off |
| Voltage/operating indicator | | Green Led ON |
| Dimensions | | See diagram |
| Weight | | 0.031 kg |
| Disconnectors | | |
| Thermal disconnector | | Internal |
| Installation ground fault breaker | | Type 'S' or delayed |
| Standards | | |
| Standards compliance | | IEC 61643-11 / EN 61643-11 / UL1449 ed.5 |
| Part number | | 711218 |

