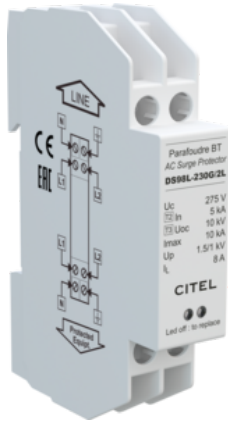




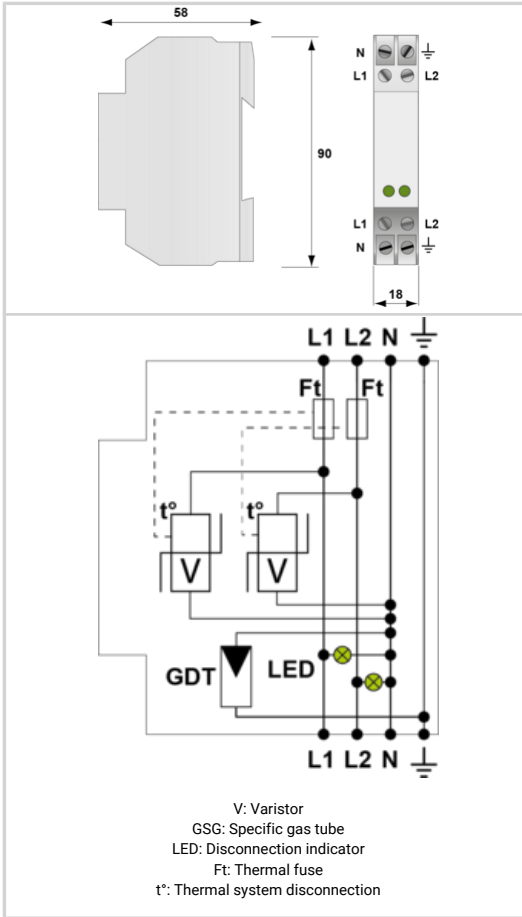
Compact single-phase type 2 (or 3) surge protector - Monobloc

CITEL

DS98L-230G/2L



- Cost effective single-phase surge protector
- Safety disconnection in-line
- Double connection in series
- Common/Differential mode



Electrical Characteristics		
SPD type	IEC	2 (or 3)
Network		2-phase + N 230 V
AC system		TT-TN
Nominal line voltage	Un	230 Vac
Max. AC operating voltage	Uc	275 Vac
Max. load current @25°C	IL	8 A
Temporary Over Voltage (TOV) Characteristics - 5 sec. Without disconnection	UT	335 Vac withstand
Temporary Over Voltage (TOV) Characteristics - 120 mn Without disconnection or with safety disconnection	UT	440 Vac disconnection
Follow current	If	None
Nominal discharge current 15 x 8/20 μs impulses	In	5 kA
Max. discharge current max. withstand @ 8/20 μs by pole	Imax	10 kA
Withstand on Combination waveform IEC 61643-11 Class III test: 1.2/50μs - 8/20μs	Uoc	10 kV
Withstand on overvoltages IEEE C62.41.1		10 kV
Connection mode(s)		L/N/PE
Protection mode(s)		Common/Differential mode
Protection level L/N @ In (8/20μs)	Up L/N	1 kV
Protection level N/PE @ In (8/20μs)	Up N/PE	1.5 kV
Admissible short-circuit current	Iscrr	10 000 A
Mechanical Characteristics		
SPD configuration		2-phase+N
Connection to Network		By screw terminals: 2.5mm² max.
Format		Monobloc modular box
Mounting		Symmetrical rail 35 mm (EN 60715)
Housing material		Thermoplastic UL94 V-0
Operating temperature	Tu	-40/+85°C
Protection rating		IP20
Failsafe mode		Disconnection from AC network
Disconnection indicator		Green LED OFF
Remote signaling of disconnection		No
Dimensions		See diagram
Weight		0.069 kg
Disconnectors		
Thermal disconnector		Internal
Installation ground fault breaker		Type 'S' or delayed
Back-up protection device		Fuse type gG - 16 A
Standards		
Standards compliance		IEC 61643-11 / EN 61643-11 / UL1449 ed.5
Certification		
Part number		
351933		

