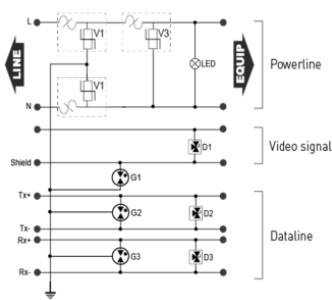
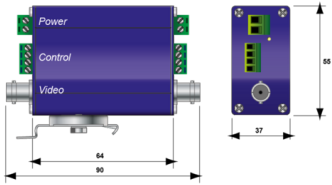




CITEL

MSP-VM230-2P



G: Gas discharge tube
V: Varistor
D: Clamping diode network
LED: Indicator

Electrical Characteristics

Network		230 V single-phase
AC system		TT-TN
Max. DC operating voltage	Uc	255 Vdc
Max. frequency	f max.	16 MHz
Insertion loss		< 0.1 dB
Max. load current @25°C	IL	5 A
Nominal discharge current 15 x 8/20 μs impulses	In	5 kA
Max. discharge current max. withstand @ 8/20 μs by pole	Imax	10 kA
Withstand on Combination waveform IEC 61643-11 Class III test: 1.2/50μs - 8/20μs	Uoc	10 kV / 5 kA
Protection mode(s)		Common/Differential mode
Protection level @ In (8/20μs)	Up	1.2 kV
Protection level @ In (8/20 μs)	Up L/L	20 V

ELEC

Network		Signal video
---------	--	--------------

ELEC

Max. DC operating voltage	Uc	6 Vdc
---------------------------	----	-------

ELEC

Max. frequency	f max.	100 Mhz
----------------	--------	---------

ELEC

Insertion loss		< 1dB
----------------	--	-------

ELEC

Max. load current@25°C	IL	300 mA
------------------------	----	--------

ELEC

Nominal discharge current 15 x 8/20 μs impulses	In	5 kA
---	----	------

ELEC

Max. discharge current max. withstand @ 8/20 μs by pole	Imax	10 kA
---	------	-------

ELEC

Protection level @ In (8/20μs)	Up	20 V
--------------------------------	----	------

ELEC

Network		2 pairs signal 0-5 V
---------	--	----------------------

ELEC

Max. DC operating voltage	Uc	8 Vdc
---------------------------	----	-------

ELEC

Max. frequency	f max.	16 Mhz
----------------	--------	--------

ELEC

Insertion loss		< 1dB
----------------	--	-------

ELEC

Max. load current@25°C	IL	300 mA
------------------------	----	--------

ELEC

Nominal discharge current 15 x 8/20 μs impulses	In	2.5 kA
---	----	--------

ELEC

Max. discharge current max. withstand @ 8/20 μs by pole	Imax	5 kA
---	------	------

ELEC

Protection level @ In (8/20μs)	Up	20 V
--------------------------------	----	------

Mechanical Characteristics

Technology		MOV+GDT
------------	--	---------

Connection to Network		By screw terminals: 2.5mm ² max.
-----------------------	--	---

Format		DIN rail or flange
--------	--	--------------------

Mounting		DIN rail or plate (flange)
----------	--	----------------------------

Housing material		Anodized aluminum
------------------	--	-------------------

Operating temperature	Tu	-40/+85°C
-----------------------	----	-----------

Protection rating		IP20
-------------------	--	------

Failsafe mode		Green LED OFF and line cut-off
---------------	--	--------------------------------

Disconnection indicator		LED green OFF and AC network cut-off
-------------------------	--	--------------------------------------

Dimensions	See diagram
Weight	0.176 kg
Standards	
Standards compliance	IEC 61643-21 / EN 61643-21 / UL1449 ed.5
Part number	
420431	