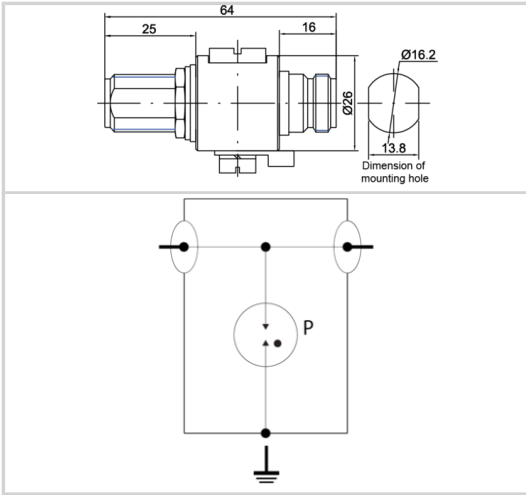




- RF coaxial surge protector
- 3.5 GHz
- Connectors: N
- Low insertion loss
- Removable GDT
- DC-pass
- Bi-directional protection



Electrical Characteristics	
Max. DC operating voltage	Uc 200 Vdc
Frequency range	f DC-3.5 GHz
Insertion loss	< 0.2 dB
Return loss	> 20 dB
Impedance	50 ohms
VSWR	<1.2:1
Mechanical Characteristics	
Max. load current @25°C	IL 10 A
Residual Current Leakage current to Ground	Ipe None
Max. discharge current max. withstand @ 8/20 µs by pole	I <sub>max</sub> 20 kA
Protection mode(s)	Common mode
Protection level @1kV/µs (C3)	Up < 800 V
Impulse current 2 x 10/350µs Test - D1 Category	I <sub>imp</sub> 1 kA
Nominal discharge current C2 Category	I <sub>n</sub> 5 kA
Max Power	190 W
Typical let through energy (50 ohms) input 4kV 1.2/50µs - 2kA 8/20µs	350 µJ
DC Pass	Yes
Insulation resistance	IR ≥10 GOhms
Standards	
Standards compliance	IEC 61643-21 / EN 61643-21 / UL497E
RohS compliance	Yes
Part number	
60014	

