



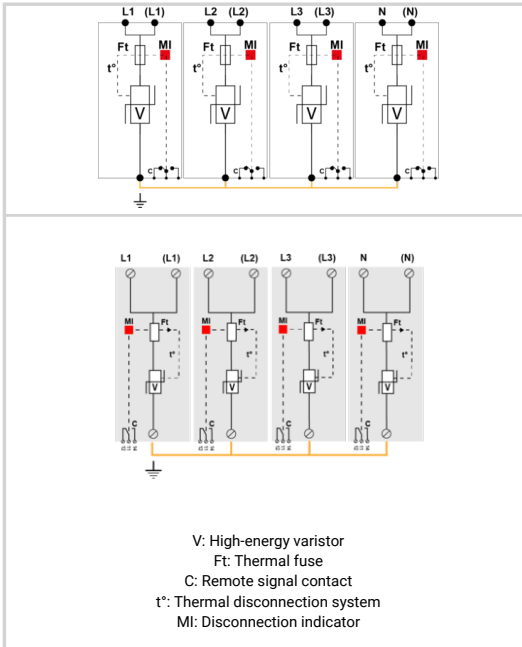
Type 1+2 AC surge protector - 3-phase+N

CITEL

DS504E-400



- ↳ Type 1 + 2 multipolar AC surge protector
- ↳ I_{imp} total : 200 kA (10/350 μ s impulse)
- ↳ I_{max} : 150 kA (8/20 μ s impulse)
- ↳ Internal disconnections, status indicator and remote signaling
- ↳ Conforme NF EN 61643-11, IEC 61643-11, UL1449 ed.5



Electrical Characteristics	
SPD type	1+2
Network	230/400 V 3-phase+N
AC system	IT
Nominal line voltage	Un 400 Vac
Max. AC operating voltage	Uc 440 Vac
Max. load current if series connection	IL 100 A
Temporary Over Voltage (TOV) Characteristics - 5 sec. Without disconnection	UT 580 Vac withstand
Temporary Over Voltage (TOV) Characteristics - 120 mn Without disconnection or with safety disconnection	UT 770 Vac disconnection
Follow current	If None
Nominal discharge current 15 x 8/20 μ s impulses	In 50 kA
Max. discharge current max. withstand @ 8/20 μ s by pole	I _{max} 200 kA
Impulse current by pole max. withstand 10/350 μ s by pole	I _{imp} 50 kA
Total lightning current max. total withstand @ 10/350 μ s	I _{total} 200 kA
Specific energy by pole max. withstand 10/350 μ s	W/R 156 kJ/ohm
Connection mode(s)	L/PE and N/PE
Protection mode(s)	Common mode
Protection level N/PE @ In (8/20 μ s)	Up N/PE 2.2 kV
Protection level L/PE @ In (8/20 μ s)	Up L/PE 2.2 kV
Admissible short-circuit current	I _{sc} 50 000 A
Mechanical Characteristics	
Technology	MOV
SPD configuration	3-phase
Connection to Network	By screw terminals: 6-35mm ² / by bus
Format	1-pole modular box assembled
Mounting	Symmetrical rail 35 mm (EN 60715)
Housing material	Thermoplastic UL94 V-0
Operating temperature	Tu -40/+85°C
Protection rating	IP20
Failsafe mode	Disconnection from AC network
Disconnection indicator	1 mechanical indicator by pole
Remote signaling of disconnection	Output on changeover contact
Dimensions	See diagram
Weight	2.876 kg
Disconnectors	
Thermal disconnector	Internal
Installation ground fault breaker	Type 'S' or delayed
Back-up protection device	Fuses Type gG - 500 A
Standards	
Standards compliance	IEC 61643-11 / EN 61643-11 / UL1449 ed.5
Certification	
Part number	
64020	

