



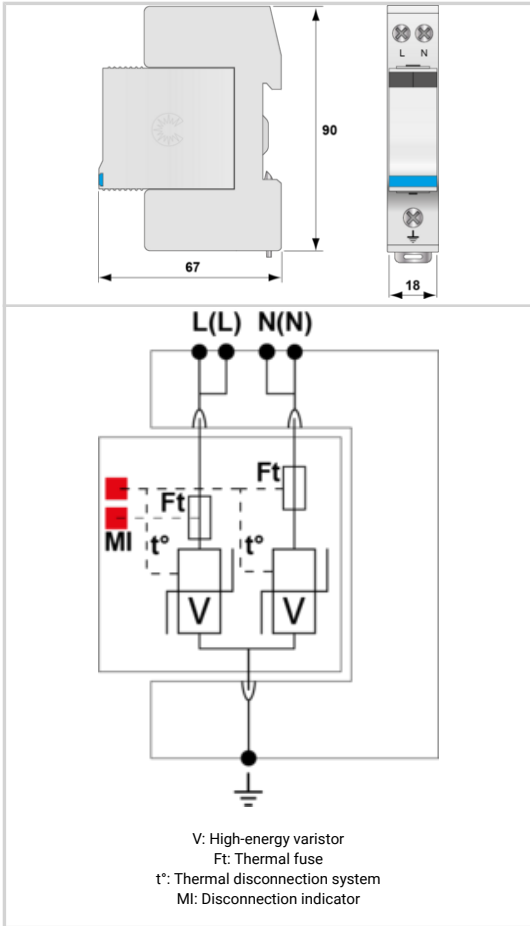
# CITEL

## Compact 1-phase Type 2 (or 3) surge protector - 120 V -Pluggable

### DS215-120



- Discover our latest innovation : the [DAC15C-20-150](#)
- Compact single-phase type 2 (or 3) surge protector
- In : 5 kA
- I<sub>max</sub> : 15 kA
- Common mode
- Pluggable module
- Remote signaling option
- EN 61643-11, IEC 61643-11 compliance
- UL1449 ed.5



Electrical Characteristics	
SPD type	2 (or 3)
Network	120 V single-phase
AC system	TN
Nominal line voltage	U <sub>n</sub> 120 Vac
Max. AC operating voltage	U <sub>c</sub> 150 Vac
Max. load current if series connection	I <sub>L</sub> 20 A
Temporary Over Voltage (TOV) Characteristics - 5 sec. Without disconnection	UT 180 Vac withstand
Temporary Over Voltage (TOV) Characteristics - 120 mn Without disconnection or with safety disconnection	UT 230 Vac disconnection
Residual Current Leakage current to Ground	I <sub>pe</sub> < 0.5 mA
Follow current	I <sub>f</sub> None
Nominal discharge current 15 x 8/20 μs impulses	I <sub>n</sub> 5 kA
Max. discharge current max. withstand @ 8/20 μs by pole	I <sub>max</sub> 15 kA
Withstand on Combination waveform IEC 61643-11 Class III test: 1.2/50μs - 8/20μs	U <sub>oc</sub> 10 kV
Connection mode(s)	L/PE and N/PE
Protection mode(s)	Common mode
Residual voltage at 5 kA @ 5 kA (8/20μs)	U <sub>p-5kA</sub> 0.6 kV
Protection level CM/DM @ I <sub>n</sub> (8/20μs)	U <sub>p mc /md</sub> 0.6 kV
Admissible short-circuit current	I <sub>sc cr</sub> 10 000 A
Mechanical Characteristics	
Technology	MOV
SPD configuration	Single phase
Connection to Network	By screw terminals: 1.5-10mm <sup>2</sup> (L/N) or 2.5-25mm <sup>2</sup> (PE)
Format	Plug-in modular box
Mounting	Symmetrical rail 35 mm (EN 60715)
Housing material	Thermoplastic UL94 V-0
Operating temperature	T <sub>u</sub> -40/+85°C
Protection rating	IP20
Failsafe mode	Disconnection from AC network
Disconnection indicator	2 mechanical indicators
Spare module(s)	DSM215-120
Remote signaling of disconnection	Option DS215S-120 : output on changeover contact
Dimensions	See diagram
Disconnectors	
Thermal disconnector	Internal
Installation ground fault breaker	Type 'S' or delayed
Back-up protection device	20 A min. - 125 A max. - Fuses type gG
Standards	
Standards compliance	IEC 61643-11 / EN 61643-11 / UL1449 ed.5
Certification	UL / CSA
Part number	
451601	

