

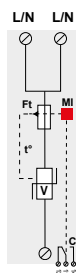
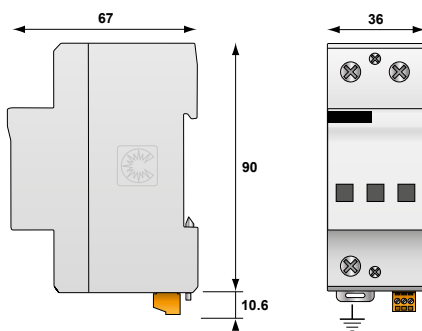


DS250E-300

# DS250E SERIES



- Type 1 + 2 Surge Protector
- limp : 25 kA on 10/350  $\mu$ s impulse
- I<sub>max</sub> : 140 kA on 8/20  $\mu$ s impulse
- Internal disconnections, status indicators and remote signaling
- IEC 61643-11, EN 61643-11 and UL1449 ed.5 compliance



V: High energy varistor network  
MI: Disconnection indicator  
Ft: Thermal fuse  
t°: Thermal disconnection system  
C: Contact for remote signal

## Characteristics

CITEL Model		DS250E-400	DS250E-300	DS250E-120
Description		Type 1+2 AC surge protector 1-pole		
Network		230/400 V	230/400 V	120/208 V
Max. AC operating voltage	U <sub>c</sub>	440 Vac	330 Vac	150 Vac
Temporary Over Voltage (TOV) Characteristics - 5 sec.	UT	580 Vac withstand	335 Vac withstand	180 Vac withstand
Temporary Over Voltage (TOV) Characteristics - 120 mn	UT	770 Vac disconnection	440 Vac disconnection	230 Vac disconnection
Residual current - Leakage current at U <sub>c</sub>	I <sub>pe</sub>	< 3 mA	< 3 mA	< 3 mA
Max. Load current (if connection serie)	I <sub>L</sub>	100 A	100 A	100 A
Follow current	I <sub>f</sub>	None	None	None
Nominal discharge current 15 x 8/20 $\mu$ s impulses	I <sub>n</sub>	50 kA	70 kA	70 kA
Max. discharge current max. withstand @ 8/20 $\mu$ s by pole	I <sub>max</sub>	140 kA	140 kA	140 kA
Impulse current by pole max. withstand 10/350 $\mu$ s	limp	25 kA	25 kA	25 kA
Specific energy by pole	W/R	156 kJ/ohm	156 kJ/ohm	156 kJ/ohm
Protection level @ I <sub>n</sub> (8/20 $\mu$ s)	U <sub>p</sub>	2.5 kV	2.5 kV	1 kV
Residual voltage @ 5 kA (8/20 $\mu$ s)	U <sub>p-5kA</sub>	1.5 kV	1 kV	0.6 kV
Admissible short-circuit current	I <sub>sc</sub>	50000 A	50000 A	50000 A

### Associated disconnectors

Thermal disconnector	internal
Fuses	Fuse type gG - 315 A / or CITEL SFD-25
Installation ground fault breaker (if existing)	Type «S» or delayed

### Mechanical characteristics

Dimensions	see diagram
Connection to Network	By screw terminals : 6-35 mm <sup>2</sup> / by bus
Disconnection indicator	3 mechanical indicators
Remote signaling of disconnection	output on changeover contact
Mounting	Symmetrical rail 35 mm (EN60715)
Operating temperature	-40/+85°C
Protection rating	IP20
Housing material	Thermoplastic UL94 V-0

### Standards

Compliance	IEC 61643-11 / EN 61643-11 / UL1449 ed.5
------------	--

### Part number

	3731	2730	3106
--	------	------	------

# TYPE 1 + 2 MULTIPOLAR AC SURGE PROTECTOR

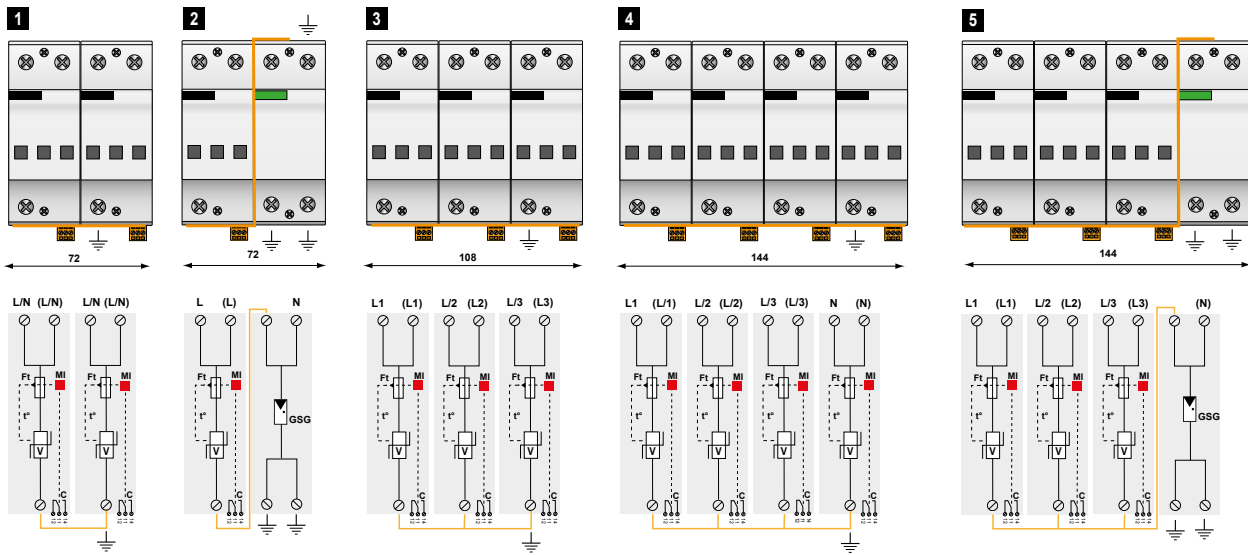
## DS252E, DS253E, DS254E



DS254E-300/G

DS25x E-xxx/G

- « » = Configuration CT1 (common mode)
- «G» = Configuration CT2 (common and differential mode)
- Operating voltage
- «E» = «Multi-Varistor» technology
- Number of protected poles (2, 3 or 4)



- V : High energy varistor network
- GSG : Specific gas Tube
- Ft : Thermal fuse
- C : Remote signaling contact
- t° : Thermal disconnection system
- MI : Disconnection indicator

Model	P/N	Network	AC system	Protection Mode	I <sub>total</sub>	Up L/PE	Up L/N	Up N/PE	Diagram
DS254E-300/G	3411	230/400 V 3-phase+N	TT-TNS	L/N and N/PE	100 kA	-	2.5 kV	1.5 kV	5
DS254E-120/G	3831	120/208 V 3-phase+N	TT-TNS	L/N and N/PE	100 kA	-	1 kV	1.5 kV	
DS254E-400	3732	230/400 V 3-phase+N	IT	L/PE and N/PE	100 kA	2.5 kV	-	2.5 kV	4
DS254E-300	3371	230/400 V 3-phase+N	TNS	L/PE and N/PE	100 kA	2.5 kV	-	2.5 kV	
DS254E-120	3961	120/208 V 3-phase+N	TNS	L/PE and N/PE	100 kA	1 kV	-	1 kV	3
DS253E-400	3939	230/400 V 3-phase	IT	L/PE	75 kA	2.5 kV	-	-	
DS253E-300	3350	230/400 V 3-phase	TNC	L/PE	75 kA	2.5 kV	-	-	2
DS253E-120	3887	120/208 V 3-phase	TNC	L/PE	75 kA	1 kV	-	-	
DS252E-300/G	3404	230 V 3-phase	TT-TN	L/N and N/PE	50 kA	-	2.5 kV	1.5 kV	1
DS252E-120/G	3904	120 V single phase	TT-TN	L/N and N/PE	50 kA	-	1 kV	1.5 kV	
DS252E-400	3952	230 V single phase	IT	L/PE and N/PE	50 kA	2.5 kV	-	2.5 kV	1
DS252E-300	3962	230 V single phase	TN	L/PE and N/PE	50 kA	2.5 kV	-	2.5 kV	
DS252E-120	3951	120 V single phase	TN	L/PE and N/PE	50 kA	1 kV	-	1 kV	