



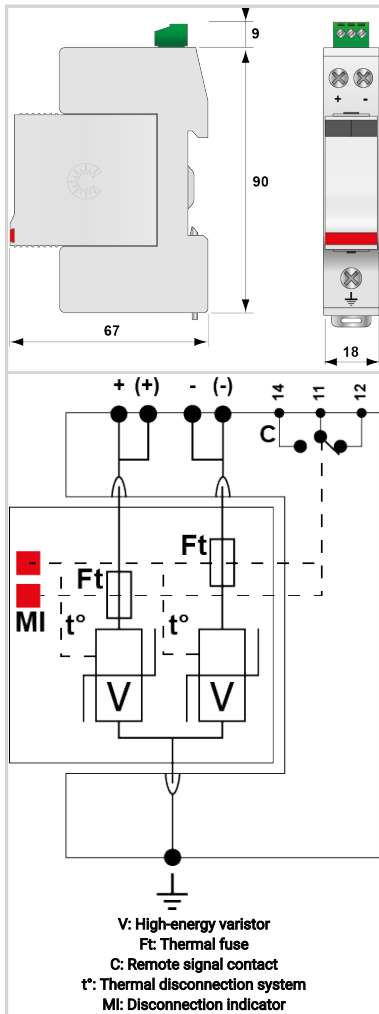
CITEL

DC power surge protector - 110 Vdc

DS240S-110DC



- Discover our latest innovation : the [DDC40CS-20-150](#)
- DC power surge protector
- 110 Vdc
- Compact design
- I_{max}: 40 kA
- Pluggable module
- Remote signaling
- Very low Up protection level



Electrical Characteristics

SPD type	IEC	2
Network		DC or PV network 110Vdc
Nominal DC voltage	Un-dc	110 Vdc
Nominal PV voltage	Uocstc	110 Vdc
Max. AC operating voltage	Uc	115 Vac
Max. PV operating voltage	Ucpv	150 Vdc
Max. DC operating voltage	Uc	150 Vdc
Max. load current @25°C	IL	50 A
Residual Current		
Leakage current to Ground	I _{pe}	< 0.2 mA
PV Permanent Operating current	I _{cpv}	< 0.1 mA
Current consumption at U _{cpv}		
Follow current	I _f	None
Nominal discharge current	I _n	20 kA
15 x 8/20 μs impulses		
Max. discharge current	I _{max}	40 kA
max. withstand @ 8/20 μs by pole		
Total Maximum discharge current	I _{max Total}	80 kA
max. total withstand @ 8/20 μs		
Current withstand short circuit PV	I _{scpv}	1000 A
Connection mode(s)		+/-/PE
Protection mode(s)		Common mode
Protection level +/-PE (-/PE)	Up	500 V
@ I _n (8/20μs)		

Mechanical Characteristics

Technology		MOV
SPD configuration		2-poles
Connection to Network		By screw terminals: 1.5-10mm ² (actives wires) and 2.5-25mm ² (ground)
Format		Plug-in modular box
Mounting		Symmetrical rail 35 mm (EN 60715)
Housing material		Thermoplastic UL94 V-0
Operating temperature	T _u	-40/+85°C
Protection rating		IP20
Failsafe mode		Disconnection from DC network
Disconnection indicator		2 mechanical indicators
Spare module(s)		DSM240-110DC
Remote signaling of disconnection		Output on changeover contact
Dimensions		See diagram

Disconnectors

Thermal disconnector		Internal
Back-up protection device		Fuses type gG - 20A

Standards

Standards compliance		IEC 61643-11 / EN 61643-11 / UL1449 ed.5
Certification		TUV



CITEL

DC power surge protector - 110 Vdc

DS240S-110DC

Environmental standards	EU RoHS
Part number	
310711	

