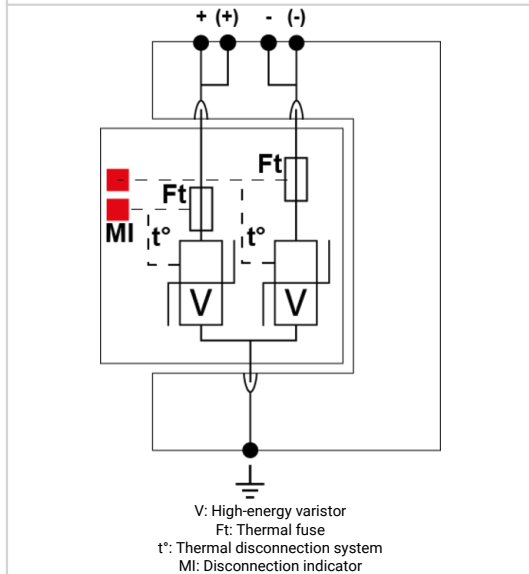
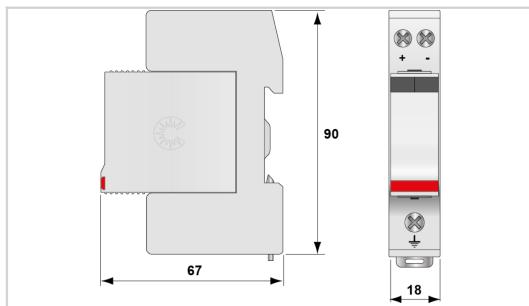


DS240-130DC



- ✦ Discover our latest innovation : the [DDC40C-20-180](#)
- ✦ DC or PV power surge protector
- ✦ 130 Vdc
- ✦ Compact design
- ✦ I_{max}: 40 kA
- ✦ Pluggable module
- ✦ Remote signaling (option)
- ✦ Very low Up protection level



Electrical Characteristics		
SPD type	IEC	2
Network		DC or PV network 130Vdc
Nominal DC voltage	Un-dc	130 Vdc
Nominal PV voltage	Uocstc	130 Vdc
Max. AC operating voltage	Uc	150 Vac
Max. PV operating voltage	Ucpv	180 Vdc
Max. DC operating voltage	Uc	180 Vdc
Max. load current @25°C	IL	50 A
Residual Current Leakage current to Ground	I _{pe}	< 0.2 mA
PV Permanent Operating current Current consumption at Ucpv	I _{cpv}	< 0.1 mA
Follow current	I _f	None
Nominal discharge current 15 x 8/20 μs impulses	I _n	20 kA
Max. discharge current max. withstand @ 8/20 μs by pole	I _{max}	40 kA
Total Maximum discharge current max. total withstand @ 8/20 μs	I _{max Total}	80 kA
Current withstand short circuit PV	I _{scpv}	1000 A
Connection mode(s)		+/-PE
Protection mode(s)		Common mode
Protection level +/-PE (-/PE) @ I _n (8/20μs)	U _p	620 V
Mechanical Characteristics		
Technology		MOV
SPD configuration		2-poles
Connection to Network		By screw terminals: 1.5-10mm ² (actives wires) and 2.5-25mm ² (ground)
Format		Plug-in modular box
Mounting		Symmetrical rail 35 mm (EN 60715)
Housing material		Thermoplastic UL94 V-0
Operating temperature	T _u	-40/+85°C
Protection rating		IP20
Failsafe mode		Disconnection from DC network
Disconnection indicator		2 mechanical indicators
Spare module(s)		DSM240-130DC
Remote signaling of disconnection		Option DS240S-130DC : output on changeover contact
Dimensions		See diagram
Weight		0.119 kg
Disconnectors		
Thermal disconnector		Internal
Back-up protection device		Fuses type gG - 20A
Standards		
Standards compliance		IEC 61643-11 / EN 61643-11 / UL1449 ed.5
Certification		UL
Part number		
310801		