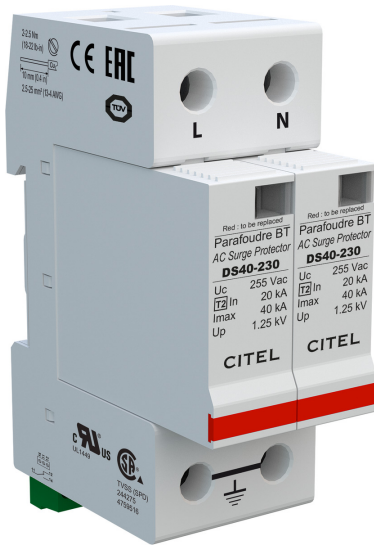




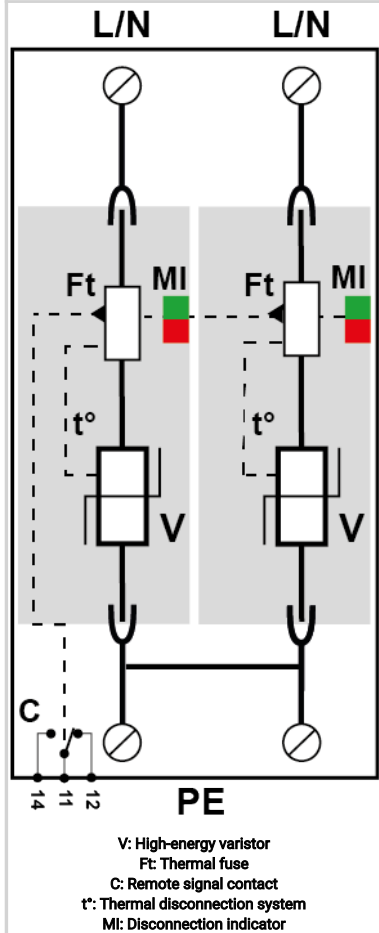
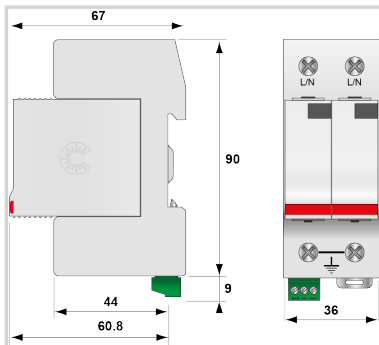
CITEL

Type 2 AC surge protector - Single-phase

DS42S-230



- › Discover our latest innovation : the [DAC50S-20-275](#)
- › Type 2 AC Multipolar surge protector
- › In: 20 kA
- › I_{max} total: 80 kA
- › Pluggable module for each phase
- › Remote signaling
- › EN 61643-11, IEC 61643-11, UL1449 ed.5



| Electrical Characteristics | | |
|--|------------------------|--|
| SPD type | IEC | 2 |
| Network | | 230/400 V |
| AC system | | TN |
| Nominal line voltage | U _n | 230 Vac |
| Max. AC operating voltage | U _c | 255 Vac |
| Temporary Over Voltage (TOV) Characteristics - 5 sec. Without disconnection | UT | 335 Vac withstand |
| Temporary Over Voltage (TOV) Characteristics - 120 mn Without disconnection or with safety disconnection | UT | 440 Vac disconnection |
| Residual Current Leakage current to Ground | I _{pe} | < 1 mA |
| Follow current | I _f | None |
| Nominal discharge current 15 x 8/20 μs impulses | I _n | 20 kA |
| Max. discharge current max. withstand @ 8/20 μs by pole | I _{max} | 40 kA |
| Total Maximum discharge current max. total withstand @ 8/20 μs | I _{max} Total | 80 kA |
| Connection mode(s) | | L/PE and N/PE |
| Protection mode(s) | | Common mode |
| Residual voltage at 5 kA @ 5 kA (8/20 μs) | Up-5kA | 0.9 kV |
| Protection level N/PE @ I _n (8/20 μs) | Up N/PE | 1.25 kV |
| Protection level L/PE @ I _n (8/20 μs) | Up L/PE | 1.25 kV |
| Admissible short-circuit current | I _{scrr} | 25 000 A |
| Mechanical Characteristics | | |
| Technology | | MOV |
| SPD configuration | | Single phase |
| Connection to Network | | By screw terminals: 2.5-25mm ² / by bus |
| Format | | Plug-in modular box |
| Mounting | | Symmetrical rail 35 mm (EN 60715) |
| Housing material | | Thermoplastic UL94 V-0 |
| Operating temperature | T _u | -40/+85°C |
| Protection rating | | IP20 |
| Failsafe mode | | Disconnection from AC network |
| Disconnection indicator | | 1 mechanical indicator by pole |
| Spare module(s) | | DSM40-230 |
| Remote signaling of disconnection | | Output on changeover contact |
| Dimensions | | See diagram |
| Disconnectors | | |
| Thermal disconnector | | Internal |
| Installation ground fault breaker | | Type 'S' or delayed |
| Back-up protection device | | Fuses type gG - 50 A |
| Standards | | |
| Standards compliance | | IEC 61643-11 / EN 61643-11 / UL1449 ed.5 |
| Certification | | cRUus |
| Environmental standards | | EU RoHS |
| Part number | | |
| 461521 | | |

