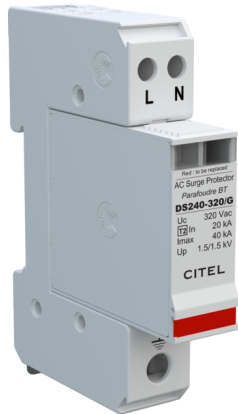




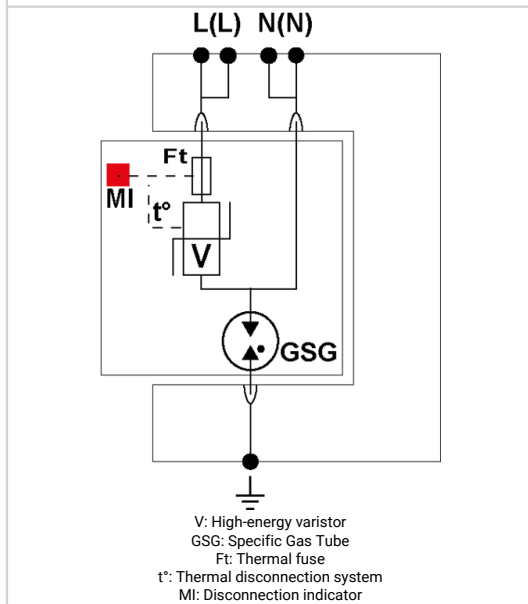
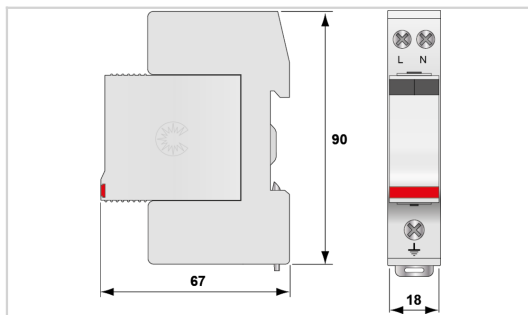
CITEL

Compact 1-phase Type 2 (or 3) surge protector - 230 V - Pluggable

DS240-320/G



- ✦ Discover our latest innovation : the [DAC40C-11-320](#)
- ✦ Compact single-phase Type 2 surge protector
- ✦ In : 20 kA
- ✦ I_{max} : 40 kA
- ✦ Common/Differential mode
- ✦ Pluggable module
- ✦ Remote signaling option
- ✦ EN 61643-11, IEC 61643-11 compliance
- ✦ UL1449 ed.5



Electrical Characteristics		
SPD type	IEC	2
Network		230 V single-phase
AC system		TT-TN
Nominal line voltage	U _n	230 Vac
Max. AC operating voltage	U _c	320 Vac
Max. load current if series connection	IL	20 A
Temporary Over Voltage (TOV) Characteristics - 5 sec. Without disconnection	UT	335 Vac withstand
Temporary Over Voltage (TOV) Characteristics - 120 mn Without disconnection or with safety disconnection	UT	440 Vac disconnection
Temporary Over Voltage N/PE (TOV HT) Without disconnection or with safety disconnection	UT	1200 V/300A/200 ms withstand
Residual Current Leakage current to Ground	I _{pe}	None
Follow current	I _f	None
Nominal discharge current 15 x 8/20 μs impulses	I _n	20 kA
Max. discharge current max. withstand @ 8/20 μs by pole	I _{max}	40 kA
Total Maximum discharge current max. total withstand @ 8/20 μs	I _{max} Total	40 kA
Connection mode(s)		L/N and N/PE
Protection mode(s)		Common/Differential mode
Residual voltage at 5 kA @ 5 kA (8/20μs)	U _{p-5kA}	1.5/1 kV
Protection level CM/DM @ In (8/20μs)	U _{p mc/md}	1.5/1.5 kV
Admissible short-circuit current	I _{scrc}	10 000 A
Mechanical Characteristics		
Technology		MOV
SPD configuration		Single phase
Connection to Network		By screw terminals: 1.5-10mm ² (L/N) or 2.5-25mm ² (PE)
Format		Plug-in modular box
Mounting		Symmetrical rail 35 mm (EN 60715)
Housing material		Thermoplastic UL94 V-0
Operating temperature	T _u	-40/+85°C
Protection rating		IP20
Failsafe mode		Disconnection from AC network
Disconnection indicator		1 mechanical indicator
Spare module(s)		DSM240-320/G
Remote signaling of disconnection		Option DS240S-320/G : output on changeover contact
Dimensions		See diagram
Disconnectors		
Thermal disconnector		Internal
Installation ground fault breaker		Type 'S' or delayed
Back-up protection device		50 A min. - 125 A max. - Fuses Type gG
Standards		
Standards compliance		IEC 61643-11 / EN 61643-11 / UL1449 ed.5
Certification		UL Recognized
Part number		
311921		

