



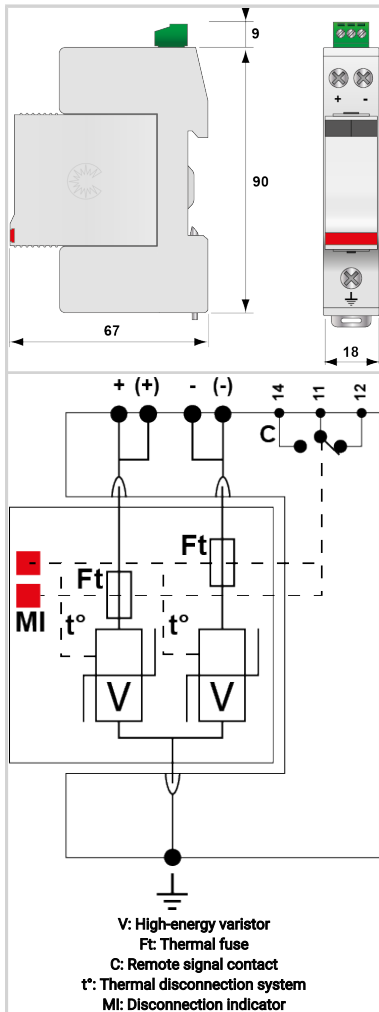
CITEL

DC power surge protector - 280 Vdc

DS240S-280DC



- Discover our latest innovation : the [DDC40CS-20-350](#)
- DC power surge protector
- 280 Vdc
- Compact design
- I_{max}: 40 kA
- Pluggable module
- Remote signaling
- Very low Up protection level



Electrical Characteristics

SPD type	IEC	2
Network		DC or PV network 280Vdc
Nominal DC voltage	Un-dc	280 Vdc
Nominal PV voltage	Uocstc	280 Vdc
Max. AC operating voltage	Uc	275 Vac
Max. PV operating voltage	Ucpv	350 Vdc
Max. DC operating voltage	Uc	350 Vdc
Max. load current @25°C	IL	50 A
Residual Current		
Leakage current to Ground	I _{pe}	< 0.2 mA
PV Permanent Operating current	I _{cpv}	< 0.1 mA
Current consumption at U _{cpv}		
Follow current	I _f	None
Nominal discharge current	I _n	20 kA
15 x 8/20 μs impulses		
Max. discharge current	I _{max}	40 kA
max. withstand @ 8/20 μs by pole		
Total Maximum discharge current	I _{max} Total	80 kA
max. total withstand @ 8/20 μs		
Current withstand short circuit PV	I _{scpv}	1000 A
Connection mode(s)		+/-/PE
Protection mode(s)		Common mode
Protection level +/-PE (-/PE)	Up	1200 V
@ I _n (8/20μs)		

Mechanical Characteristics

Technology		MOV
SPD configuration		2-poles
Connection to Network		By screw terminals: 1.5-10mm ² (actives wires) and 2.5-25mm ² (ground)
Format		Plug-in modular box
Mounting		Symmetrical rail 35 mm (EN 60715)
Housing material		Thermoplastic UL94 V-0
Operating temperature	T _u	-40/+85°C
Protection rating		IP20
Failsafe mode		Disconnection from DC network
Disconnection indicator		2 mechanical indicators
Spare module(s)		DSM240-280DC
Remote signaling of disconnection		Output on changeover contact
Dimensions		See diagram

Disconnectors

Thermal disconnector		Internal
Back-up protection device		Fuses type gG - 20A

Standards

Standards compliance		IEC 61643-11 / EN 61643-11 / UL1449 ed.5
Certification		UL Recognized



CITEL

DC power surge protector - 280 Vdc

DS240S-280DC

Environmental standards	EU RoHS
Part number	
310511	

