



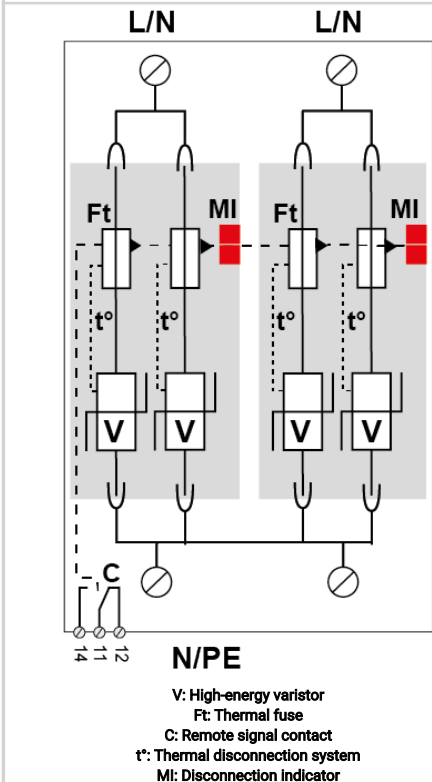
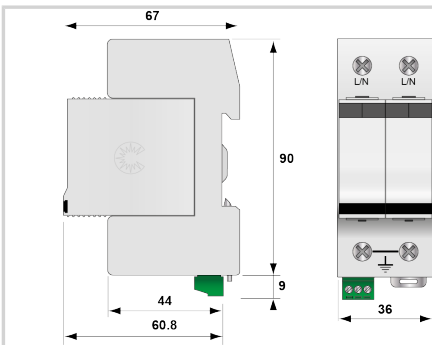
# CITEL

## Type 2 AC surge protector - Single-phase

### DS72RS-400



- Discover our latest innovation : the [DAC80S-20-440](#)
- Re-inforced Type 2 AC Multipolar surge protector
- In: 30 kA
- Imax total: 140 kA
- Pluggable module by phase
- Remote signaling
- IEC 61643-11, EN 61643-11 compliance
- UL1449 ed.3 approved



#### Electrical Characteristics

SPD type	IEC	2
Network		230 V single-phase
AC system		IT
Nominal line voltage	Un	400 Vac
Max. AC operating voltage	Uc	440 Vac
Temporary Over Voltage (TOV) Characteristics - 5 sec. Without disconnection	UT	580 Vac withstand
Temporary Over Voltage (TOV) Characteristics - 120 mn Without disconnection or with safety disconnection	UT	770 Vac disconnection
Residual Current Leakage current to Ground	Ipe	< 2 mA
Follow current	If	None
Nominal discharge current 15 x 8/20 μs impulses	In	30 kA
Max. discharge current max. withstand @ 8/20 μs by pole	Imax	70 kA
Total Maximum discharge current max. total withstand @ 8/20 μs	Imax Total	140 kA
Connection mode(s)		L/PE and N/PE
Protection mode(s)		Common mode
Residual voltage at 5 kA @ 5 kA (8/20μs)	Up-5kA	1.2 kV
Protection level N/PE @ In (8/20μs)	Up N/PE	1.8 kV
Protection level L/PE @ In (8/20μs)	Up L/PE	1.8 kV
Admissible short-circuit current	Iscrr	25 000 A

#### Mechanical Characteristics

Technology		MOV
SPD configuration		Single phase
Connection to Network		By screw terminals: 2.5-25mm <sup>2</sup> / by bus
Format		Plug-in modular box
Mounting		Symmetrical rail 35 mm (EN 60715)
Housing material		Thermoplastic UL94 V-0
Operating temperature	Tu	-40/+85°C
Protection rating		IP20
Failsafe mode		Disconnection from AC network
Disconnection indicator		2 mechanical indicators by pole
Spare module(s)		DSM70R-400
Remote signaling of disconnection		Output on changeover contact
Dimensions		See diagram

#### Disconnectors

Thermal disconnector		Internal
Installation ground fault breaker		Type 'S' or delayed
Back-up protection device		100 A min. - 125 A max. - Fuses type gG

#### Standards

Standards compliance		IEC 61643-11 / EN 61643-11 / UL1449 ed.5
Certification		UL Recognized

#### Part number

**491421**

