

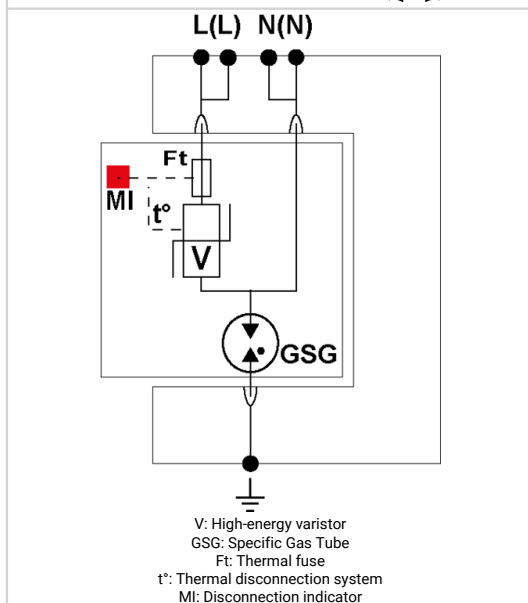
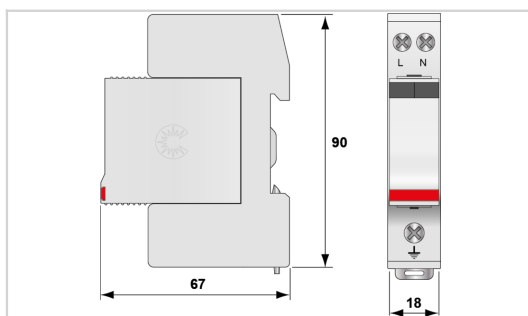


CITEL

DS240-385/G



- ✦ Compact single-phase Type 2 surge protector
- ✦ In : 20 kA
- ✦ I<sub>max</sub> : 40 kA
- ✦ Common/Differential mode
- ✦ Pluggable module
- ✦ Remote signaling option
- ✦ EN 61643-11, IEC 61643-11 compliance
- ✦ UL1449 ed.5



Electrical Characteristics		
SPD type	IEC	2
Network		230 V single-phase
AC system		TT-TN
Nominal line voltage	U <sub>n</sub>	230 Vac
Max. AC operating voltage	U <sub>c</sub>	385 Vac
Max. load current if series connection	IL	20 A
Temporary Over Voltage (TOV) Characteristics - 5 sec. Without disconnection	UT	335 Vac withstand
Temporary Over Voltage (TOV) Characteristics - 120 mn Without disconnection or with safety disconnection	UT	440 Vac withstand
Temporary Over Voltage N/PE (TOV HT) Without disconnection or with safety disconnection	UT	1200 V/300A/200 ms withstand
Residual Current Leakage current to Ground	I <sub>pe</sub>	None
Follow current	I <sub>f</sub>	None
Nominal discharge current 15 x 8/20 μs impulses	I <sub>n</sub>	20 kA
Max. discharge current max. withstand @ 8/20 μs by pole	I <sub>max</sub>	40 kA
Total Maximum discharge current max. total withstand @ 8/20 μs	I <sub>max</sub> Total	40 kA
Connection mode(s)		L/N and N/PE
Protection mode(s)		Common/Differential mode
Residual voltage at 5 kA @ 5 kA (8/20μs)	Up-5kA	1.5/1.3 kV
Protection level L/N @ In (8/20μs)	Up L/N	1.8 kV
Protection level CM/DM @ In (8/20μs)	Up mc/md	1.5/1.8 kV
Admissible short-circuit current	I <sub>scrr</sub>	10 000 A
Mechanical Characteristics		
Technology		MOV
SPD configuration		Single phase
Connection to Network		By screw terminals: 1.5-10mm <sup>2</sup> (L/N) or 2.5-25mm <sup>2</sup> (PE)
Format		Plug-in modular box
Mounting		Symmetrical rail 35 mm (EN 60715)
Housing material		Thermoplastic UL94 V-0
Operating temperature	Tu	-40/+85°C
Protection rating		IP20
Failsafe mode		Disconnection from AC network
Disconnection indicator		1 mechanical indicator
Spare module(s)		DSM240-385/G
Remote signaling of disconnection		Option DS240S-385/G : output on changeover contact
Dimensions		See diagram
Disconnectors		
Thermal disconnector		Internal
Installation ground fault breaker		Type 'S' or delayed
Back-up protection device		50 A min. - 125 A max. - Fuses Type gG
Standards		
Standards compliance		IEC 61643-11 / EN 61643-11 / UL1449 ed.5
Certification		UL Recognized
Part number		
311211		

