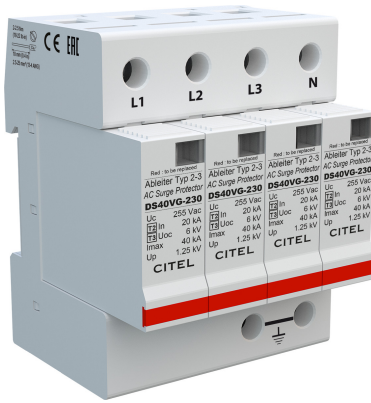




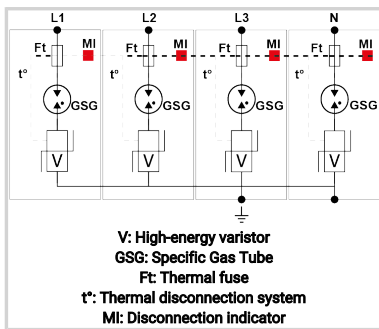
# CITEL

## Type 2+3 AC surge protector - 3-phase+N

### DS44VG-230



- ▶ Discover our latest innovation : the [DAC50VG-40-275](#)
- ▶ Type 2 + 3 AC Multipolar surge protector
- ▶ In : 20 kA
- ▶ Imax total: 160 kA
- ▶ Pluggable module
- ▶ Follow and operating current : none
- ▶ No ageing
- ▶ Optional remote signaling state
- ▶ Optimized to TOV
- ▶ EN 61643-11, IEC 61643-11, UL1449 ed.5 compliance



#### Electrical Characteristics

SPD type	IEC	2+3
Network		230/400 V
AC system		TNS
Nominal line voltage	Un	230 Vac
Max. AC operating voltage	Uc	255 Vac
Temporary Over Voltage (TOV) Characteristics - 5 sec. Without disconnection	UT	335 Vac withstand
Temporary Over Voltage (TOV) Characteristics - 120 mn Without disconnection or with safety disconnection	UT	440 Vac withstand
Residual Current	Ipe	None
Leakage current to Ground		
Follow current	If	None
Nominal discharge current 15 x 8/20 $\mu$ s impulses	In	20 kA
Max. discharge current max. withstand @ 8/20 $\mu$ s by pole	Imax	40 kA
Total Maximum discharge current max. total withstand @ 8/20 $\mu$ s	Imax Total	160 kA
Withstand on Combination waveform IEC 61643-11 Class III test: 1.2/50 $\mu$ s - 8/20 $\mu$ s	Uoc	6 kV
Withstand on overvoltages IEEE C62.41.1		20 kV
Connection mode(s)		L/PE and N/PE
Protection mode(s)		Common mode
Residual voltage @ In (8/20 $\mu$ s)	Up-in	0.8 kV
Protection level L/PE @ In (8/20 $\mu$ s)	Up L/PE	1.25 kV
Admissible short-circuit current	Iscsr	25 000 A

#### Mechanical Characteristics

Technology		VG Technology (MOV+GSG)
SPD configuration		3-phase+Neutral
Connection to Network		By screw terminals: 2.5-25mm <sup>2</sup> / by bus
Format		Plug-in modular box
Mounting		Symmetrical rail 35 mm (EN 60715)
Housing material		Thermoplastic UL94 V-0
Operating temperature	Tu	-40/+85°C
Protection rating		IP20
Failsafe mode		Disconnection from AC network
Disconnection indicator		1 mechanical indicator by pole
Spare module(s)		DSM40VG-230
Remote signaling of disconnection		option DS44VGS-230 : output on changeover contact
Dimensions		See diagram
Weight		0.331 kg

#### Disconnectors

Thermal disconnector		Internal
Installation ground fault breaker		Type 'S' or delayed
Back-up protection device		50 A min. - 125 A max. - Fuses Type gG

#### Standards

Standards compliance		IEC 61643-11 / EN 61643-11 / UL1449 ed.5
Certification		UL Recognized

#### Part number

**461552**

