



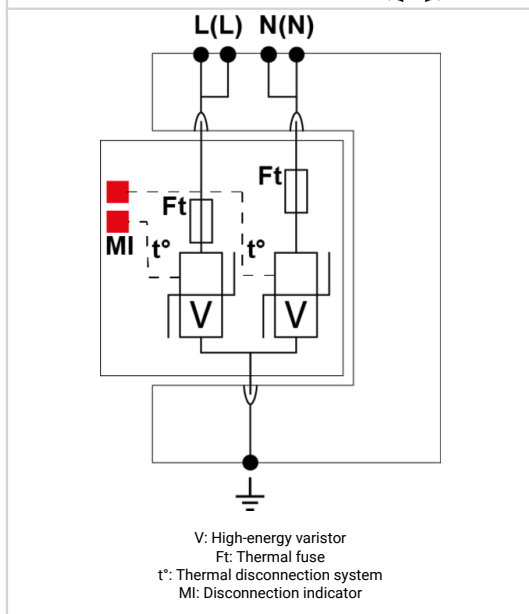
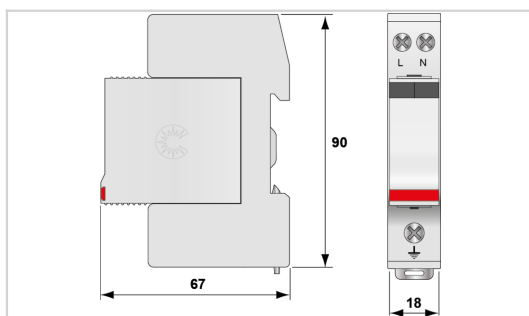
# CITEL

## Compact 1-phase Type 2 (or 3) surge protector - 230 V - Pluggable

### DS240-230



- ✦ Discover our latest innovation : the [DAC40C-20-275](#)
- ✦ Compact single-phase Type 2 surge protector
- ✦ In : 20 kA
- ✦ I<sub>max</sub> : 40 kA
- ✦ Common mode
- ✦ Pluggable module
- ✦ Remote signaling option
- ✦ EN 61643-11, IEC 61643-11 compliance
- ✦ UL1449 ed.5



Electrical Characteristics		
SPD type	IEC	2
Network		230 V single-phase
AC system		TN
Nominal line voltage	U <sub>n</sub>	230 Vac
Max. AC operating voltage	U <sub>c</sub>	255 Vac
Max. load current if series connection	I <sub>L</sub>	20 A
Temporary Over Voltage (TOV) Characteristics - 5 sec. Without disconnection	UT	335 Vac withstand
Temporary Over Voltage (TOV) Characteristics - 120 mn Without disconnection or with safety disconnection	UT	440 Vac disconnection
Residual Current Leakage current to Ground	I <sub>pe</sub>	< 0.5 mA
Follow current	I <sub>f</sub>	None
Nominal discharge current 15 x 8/20 μs impulses	I <sub>n</sub>	20 kA
Max. discharge current max. withstand @ 8/20 μs by pole	I <sub>max</sub>	40 kA
Total Maximum discharge current max. total withstand @ 8/20 μs	I <sub>max</sub> Total	80 kA
Connection mode(s)		L/PE and N/PE
Protection mode(s)		Common mode
Residual voltage at 5 kA @ 5 kA (8/20μs)	U <sub>p-5kA</sub>	0.9 kV
Protection level CM/DM @ I <sub>n</sub> (8/20μs)	U <sub>p mc/md</sub>	1.25 kV
Admissible short-circuit current	I <sub>scrc</sub>	10 000 A
Mechanical Characteristics		
Technology		MOV
SPD configuration		Single phase
Connection to Network		By screw terminals: 1.5-10mm <sup>2</sup> (L/N) or 2.5-25mm <sup>2</sup> (PE)
Format		Plug-in modular box
Mounting		Symmetrical rail 35 mm (EN 60715)
Housing material		Thermoplastic UL94 V-0
Operating temperature	T <sub>u</sub>	-40/+85°C
Protection rating		IP20
Failsafe mode		Disconnection from AC network
Disconnection indicator		2 mechanical indicators
Spare module(s)		DSM240-230
Remote signaling of disconnection		Option DS240S-230 : output on changeover contact
Dimensions		See diagram
Disconnectors		
Thermal disconnector		Internal
Installation ground fault breaker		Type 'S' or delayed
Back-up protection device		50 A min. - 125 A max. - Fuses Type gG
Standards		
Standards compliance		IEC 61643-11 / EN 61643-11 / UL1449 ed.5
Certification		CSA / UL
Part number		
311701		

